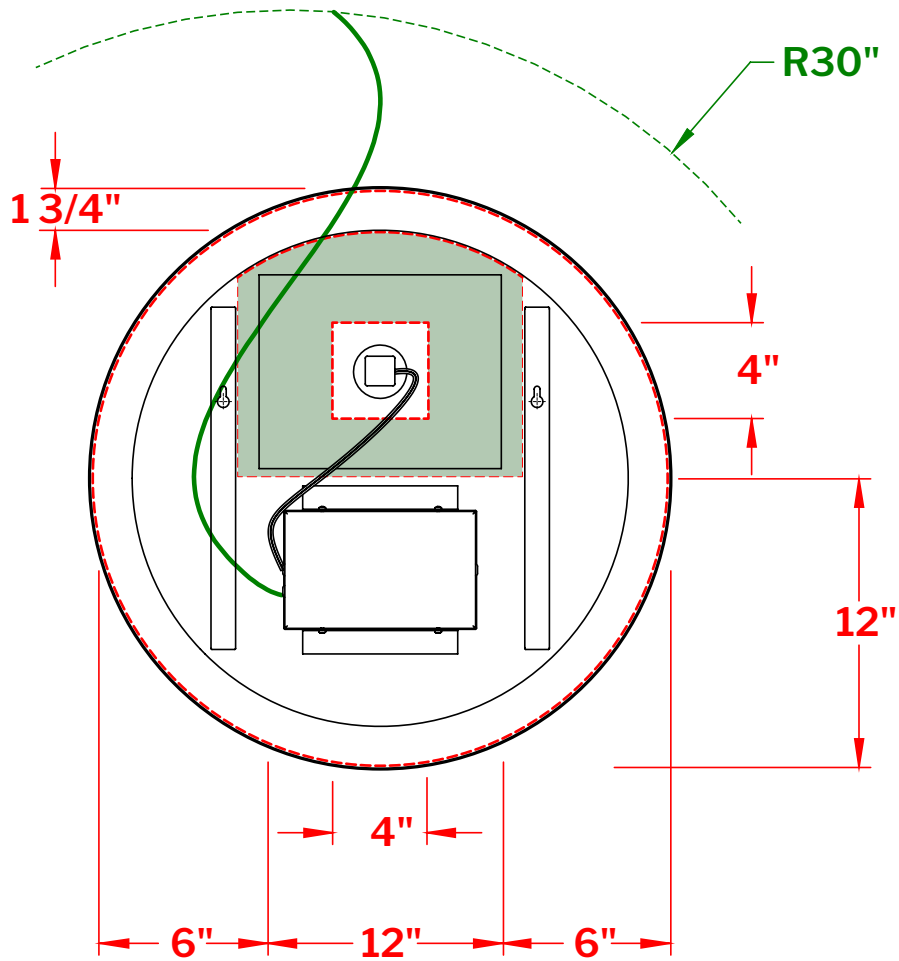


Model: Halo MHAR2424



BACK OF THE MIRROR



Zone 1 - Recommended zone for electrical box location reachable with 30" long main line wire.



Zone 2 - Not recommended zone.