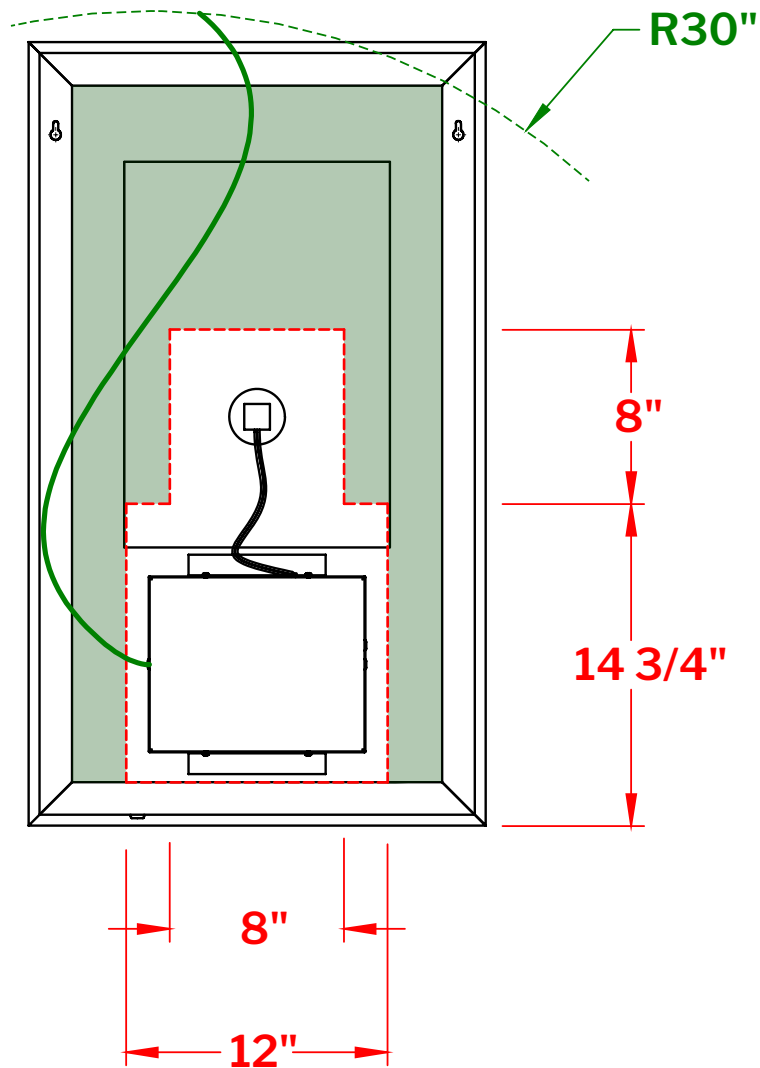


**Model: Halo MHA2136**



**BACK OF THE MIRROR**

- Zone 1 - Recommended zone for electrical box location reachable with 30" long main line wire.
- Zone 2 - Not recommended zone.