



**FEATURES + BENEFITS**.....2-3



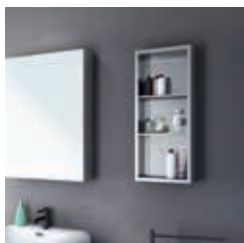
**SINGLE VIEW** Single panel medicine cabinet.....4-5



**BI-VIEW** Double panel medicine cabinet .....6-7



**TRI-VIEW** Triple panel medicine cabinet .....8-9



**MIRROR TOWER SHELF** ..... 10-11

**ADDITIONAL GLASS SHELVES**..... 12

# FEATURES + BENEFITS

# luna



Copper-free mirror

8mm, ultra clear adjustable glass shelves

Interior & exterior mirrors

Anodized aluminum body

Soft close door

Available with flat or 1/2" beveled edge

Wall mounted or recessed installation (Surface mount kit included)



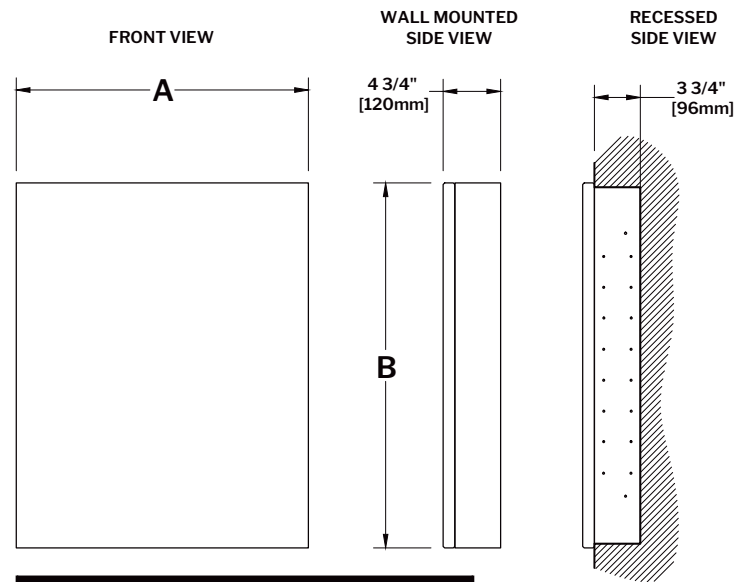


# SINGLE VIEW SINGLE PANEL MEDICINE CABINET

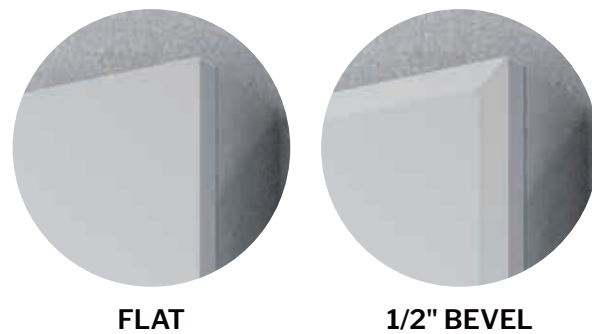
5  
year limited  
warranty

MODEL	PRICE	CABINET SIZE	ROUGH OPENING SIZE FOR RECESSED	EDGES	*ADDITIONAL SHELVES PAGE 12
MCS1519A-11	\$546	15" x 19"	14 3/8" W x 18 3/8" H x 3 3/4" D	FLAT	MC-SHELF-15
MCS1519B-11	\$626	15" x 19"	14 3/8" W x 18 3/8" H x 3 3/4" D	1/2" BEVEL	MC-SHELF-15
MCS1530A-11	\$658	15" x 30"	14 3/8" W x 29 3/8" H x 3 3/4" D	FLAT	MC-SHELF-15
MCS1530B-11	\$754	15" x 30"	14 3/8" W x 29 3/8" H x 3 3/4" D	1/2" BEVEL	MC-SHELF-15
MCS1536A-11	\$743	15" x 36"	14 3/8" W x 35 3/8" H x 3 3/4" D	FLAT	MC-SHELF-15
MCS1536B-11	\$852	15" x 36"	14 3/8" W x 35 3/8" H x 3 3/4" D	1/2" BEVEL	MC-SHELF-15
MCS2430A-11	\$823	24" x 30"	23 3/8" W x 29 3/8" H x 3 3/4" D	FLAT	MC-SHELF-24/36L
MCS2430B-11	\$942	24" x 30"	23 3/8" W x 29 3/8" H x 3 3/4" D	1/2" BEVEL	MC-SHELF-24/36L
MCS2436A-11	\$982	24" x 36"	23 3/8" W x 35 3/8" H x 3 3/4" D	FLAT	MC-SHELF-24/36L
MCS2436B-11	\$1,129	24" x 36"	23 3/8" W x 35 3/8" H x 3 3/4" D	1/2" BEVEL	MC-SHELF-24/36L

\*Additional Glass Shelves available, see page 12.  
NOTE: Surface mount kit included for wall mounted installation.



MODEL	A	B
MCS1519A or B-11	15" [380MM]	19" [480MM]
MCS1530A or B-11	15" [380MM]	30" [760MM]
MCS1536A or B-11	15" [380MM]	36" [915MM]
MCS2430A or B-11	24" [610MM]	30" [760MM]
MCS2436A or B-11	24" [610MM]	36" [915MM]



FLAT

1/2" BEVEL

## SINGLE VIEW



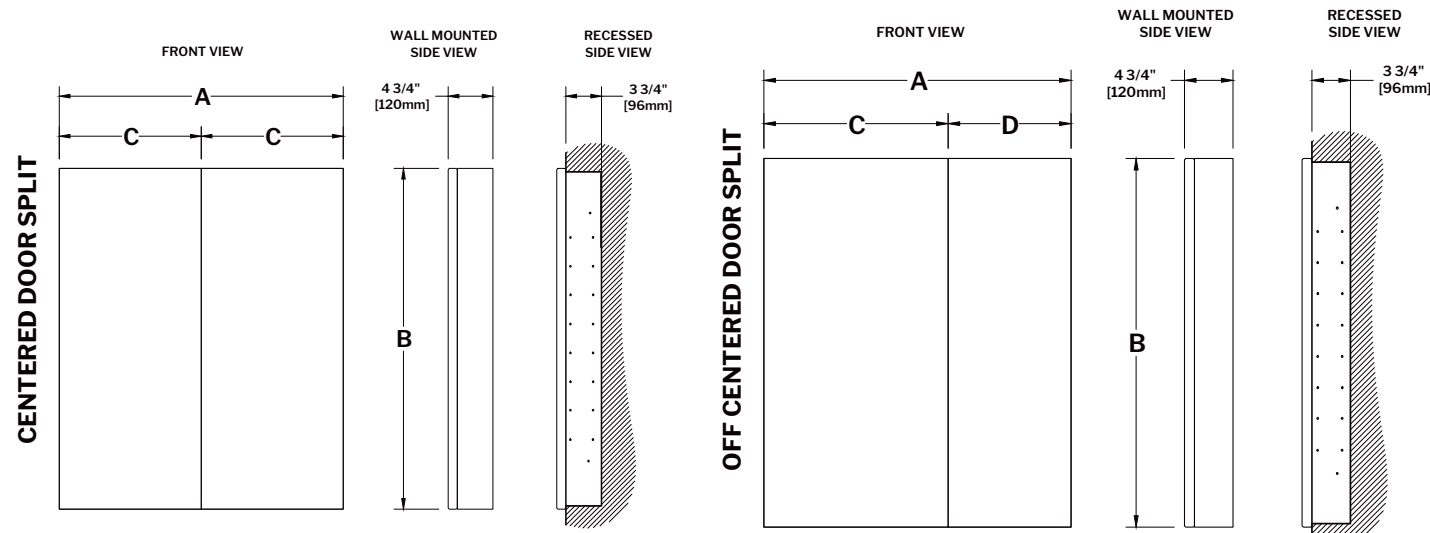
MODEL MCS2430B-11

# BI-VIEW DOUBLE PANEL MEDICINE CABINET

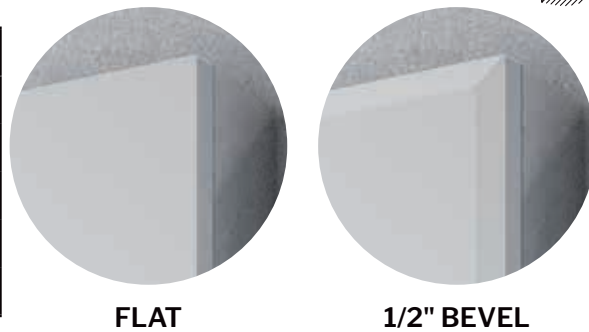
5  
year limited  
warranty

MODEL	PRICE	CABINET SIZE	ROUGH OPENING SIZE FOR RECESSED	EDGES	DOOR SPLIT	*ADDITIONAL SHELVES PAGE 12
MCB2430A-11	\$907	24" x 30"	23 3/8" W x 29 3/8" H x 3 3/4" D	FLAT	CENTER	MC-SHELF-24/36L
MCB2430B-11	\$1,002	24" x 30"		1/2" BEVEL	CENTER	
MCB2519A-11	\$776	25" x 19"	24 3/8" W x 18 3/8" H x 3 3/4" D	FLAT	CENTER	MC-SHELF-25
MCB2519B-11	\$891	25" x 19"		1/2" BEVEL	CENTER	
MCB3030A-11	\$1,026	30" x 30"	29 3/8" W x 29 3/8" H x 3 3/4" D	FLAT	OFF CENTER	MC-SHELF-30
MCB3030B-11	\$1,175	30" x 30"		1/2" BEVEL	OFF CENTER	
MCB3036A-11	\$1,229	30" x 36"	29 3/8" W x 35 3/8" H x 3 3/4" D	FLAT	OFF CENTER	MC-SHELF-30
MCB3036B-11	\$1,406	30" x 36"		1/2" BEVEL	OFF CENTER	
MCB3121A-11	\$920	31" x 21"	30 3/8" W x 20 3/8" H x 3 3/4" D	FLAT	OFF CENTER	MC-SHELF-31
MCB3121B-11	\$1,054	31" x 21"		1/2" BEVEL	OFF CENTER	

\*Additional Glass Shelves available, see page 12.  
NOTE: Surface mount kit included for wall mounted installation.



MODEL	A	B	C	D
MCB2430A or B-11	24" [610MM]	30" [760MM]	12" [305MM]	N/A
MCB2519A or B-11	25" [635MM]	19" [480MM]	12 1/2" [320MM]	N/A
MCB3030A or B-11	30" [760MM]	30" [760MM]	18" [460MM]	12" [305MM]
MCB3036A or B-11	30" [760MM]	36" [915MM]	18" [460MM]	12" [305MM]
MCB3121A or B-11	31" [790MM]	21" [535MM]	19" [480MM]	12" [305MM]



# BI-VIEW



MODEL MCB3030A-11

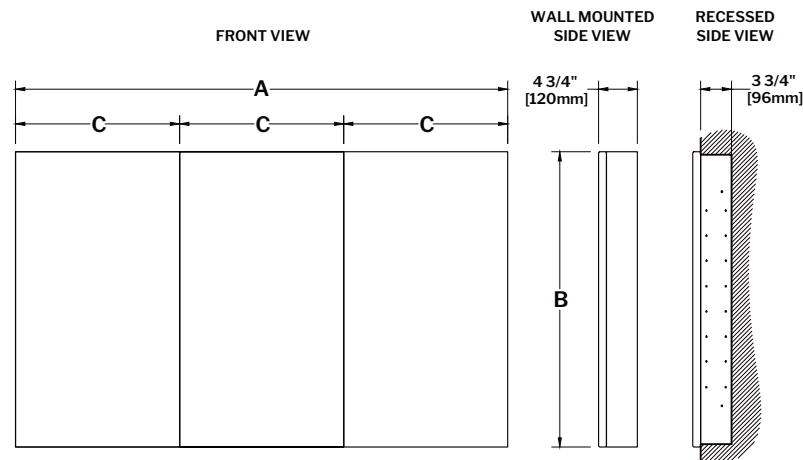


# TRI-VIEW TRIPLE PANEL MEDICINE CABINET

5  
year limited  
warranty

MODEL	PRICE	CABINET SIZE	ROUGH OPENING SIZE FOR RECESSED	EDGES	*ADDITIONAL SHELVES PAGE 12
MCT3630A-11	\$1,319	36" x 30"	35 3/8" W x 29 3/8" H x 3 3/4" D	FLAT	MC-SHELF-36S
MCT3630B-11	\$1,512	36" x 30"		1/2" BEVEL	MC-SHELF-24/36L
MCT3636A-11	\$1,384	36" x 36"	35 3/8" W x 35 3/8" H x 3 3/4" D	FLAT	MC-SHELF-36S
MCT3636B-11	\$1,587	36" x 36"		1/2" BEVEL	MC-SHELF-24/36L
MCT4830A-11	\$1,431	48" x 30"	47 3/8" W x 29 3/8" H x 3 3/4" D	FLAT	MC-SHELF-48S
MCT4830B-11	\$1,640	48" x 30"		1/2" BEVEL	MC-SHELF-48L
MCT4836A-11	\$1,594	48" x 36"	47 3/8" W x 35 3/8" H x 3 3/4" D	FLAT	MC-SHELF-48S
MCT4836B-11	\$1,826	48" x 36"		1/2" BEVEL	MC-SHELF-48L
MCT6030A-11	\$1,617	60" x 30"	59 3/8" W x 29 3/8" H x 3 3/4" D	FLAT	MC-SHELF-60S
MCT6030B-11	\$1,855	60" x 30"		1/2" BEVEL	MC-SHELF-60L
MCT6036A-11	\$1,929	60" x 36"	59 3/8" W x 35 3/8" H x 3 3/4" D	FLAT	MC-SHELF-60S
MCT6036B-11	\$2,213	60" x 36"		1/2" BEVEL	MC-SHELF-60L

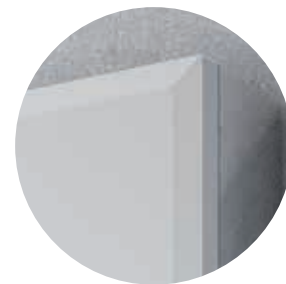
\*Additional Glass Shelves available, see page 12.  
NOTE: Surface mount kit included for wall mounted installation.



MODEL	A	B	C
MCT3630A or B-11	36" [915MM]	30" [760MM]	12" [305MM]
MCT3636A or B-11	36" [915MM]	36" [915MM]	12" [305MM]
MCT4830A or B-11	48" [1220MM]	30" [760MM]	16" [405MM]
MCT4836A or B-11	48" [1220MM]	36" [915MM]	16" [405MM]
MCT6030A or B-11	60" [1525MM]	30" [760MM]	20" [510MM]
MCT6036A or B-11	60" [1525MM]	36" [915MM]	20" [510MM]



FLAT



1/2" BEVEL

Tolerance on dimensions: ± 1/8" (3mm) US | 2022

## TRI-VIEW



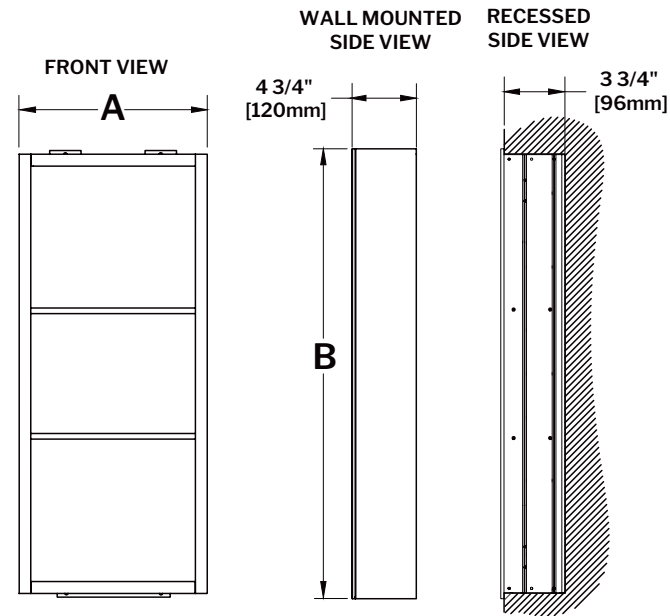
MODEL MCT4830A-11

# MIRROR TOWER SHELF

5  
year limited  
warranty

MODEL	PRICE	CABINET SIZE	ROUGH OPENING SIZE FOR RECESSED
MCND1230-11	\$434	12" x 30"	11 3/8" W x 29 3/8" H x 3 3/4" D
MCND1236-11	\$449	12" x 36"	11 3/8" W x 35 3/8" H x 3 3/4" D

Metal shelves.  
NOTE: Surface mount kit included for wall mounted installation.



MODEL	A	B
MCND1230-11	12" [305MM]	30" [760MM]
MCND1236-11	12" [305MM]	36" [915MM]

# MIRROR TOWER SHELF



MODEL MCND1230-11

# ADDITIONAL GLASS SHELVES

**5**  
year limited  
warranty

## ADDITIONAL SHELVES FOR SINGLE VIEW & BI-VIEW UNITS

SINGLE VIEW AND BI-VIEW UNITS USE ONE LONG SHELF.

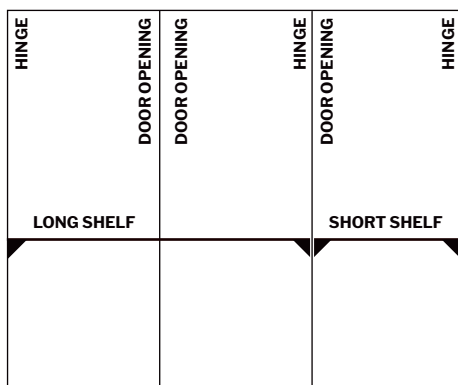
MODEL	PRICE	DIMENSIONS L x D
MC-SHELF-15	\$30	13 <sup>3</sup> / <sub>8</sub> " x 3 <sup>1</sup> / <sub>2</sub> " 339MM x 90MM
MC-SHELF-24/36L	\$44	22 <sup>3</sup> / <sub>8</sub> " x 3 <sup>1</sup> / <sub>2</sub> " 568MM x 90MM
MC-SHELF-25	\$44	23 <sup>3</sup> / <sub>8</sub> " x 3 <sup>1</sup> / <sub>2</sub> " 594MM x 90MM
MC-SHELF-30	\$55	28 <sup>3</sup> / <sub>8</sub> " x 3 <sup>1</sup> / <sub>2</sub> " 720MM x 90MM
MC-SHELF-31	\$55	29 <sup>3</sup> / <sub>8</sub> " x 3 <sup>1</sup> / <sub>2</sub> " 745MM x 90MM

## ADDITIONAL SHELVES FOR TRI-VIEW UNITS

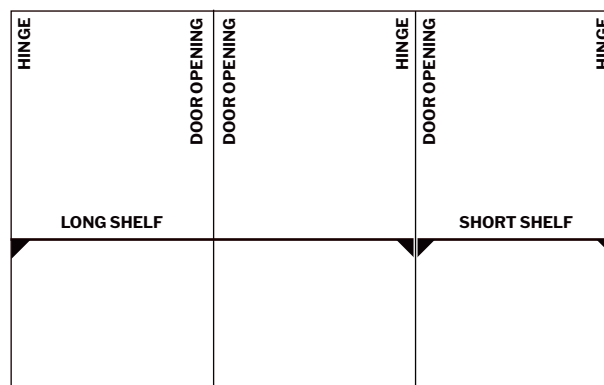
TRI-VIEW UNITS USE LONG & SHORT SHELVES.  
SEE BELOW FOR ARRANGEMENTS.

MODEL	PRICE	DIMENSIONS L x D
MC-SHELF-36S	\$29	11 <sup>3</sup> / <sub>16</sub> " x 3 <sup>1</sup> / <sub>2</sub> " 284MM x 90MM
MC-SHELF-24/36L	\$44	22 <sup>3</sup> / <sub>8</sub> " x 3 <sup>1</sup> / <sub>2</sub> " 568MM x 90MM
MC-SHELF-48S	\$32	15 <sup>3</sup> / <sub>16</sub> " x 3 <sup>1</sup> / <sub>2</sub> " 385MM x 90MM
MC-SHELF-48L	\$56	30 <sup>1</sup> / <sub>4</sub> " x 3 <sup>1</sup> / <sub>2</sub> " 769MM x 90MM
MC-SHELF-60S	\$37	18 <sup>1</sup> / <sub>4</sub> " x 3 <sup>1</sup> / <sub>2</sub> " 464MM x 90MM
MC-SHELF-60L	\$37	19 <sup>3</sup> / <sub>16</sub> " x 3 <sup>1</sup> / <sub>2</sub> " 487MM x 90MM

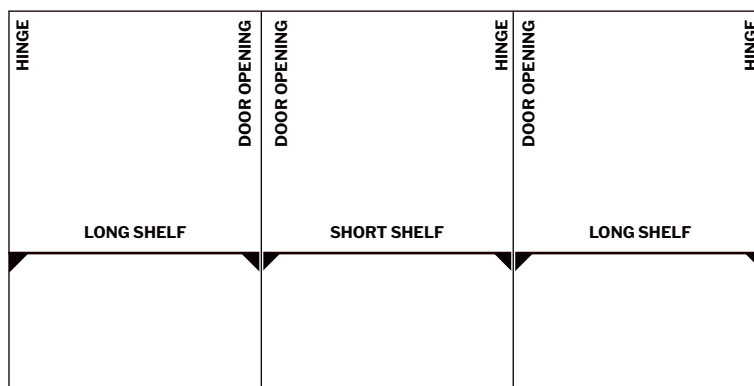
Y  
CODE EXAMPLE:  
36S = SHORT SHELF FOR 36" WIDE UNIT.  
36L = LONG SHELF FOR 36" WIDE UNIT.



36" TRI-VIEW UNITS



48" TRI-VIEW UNITS



60" TRI-VIEW UNITS

Tolerance on dimensions: ± 1/8" (3mm)