



FEATURES + BENEFITS2-3



HALO bathroom mirror4-5



SUNRIZE bathroom mirror6-7



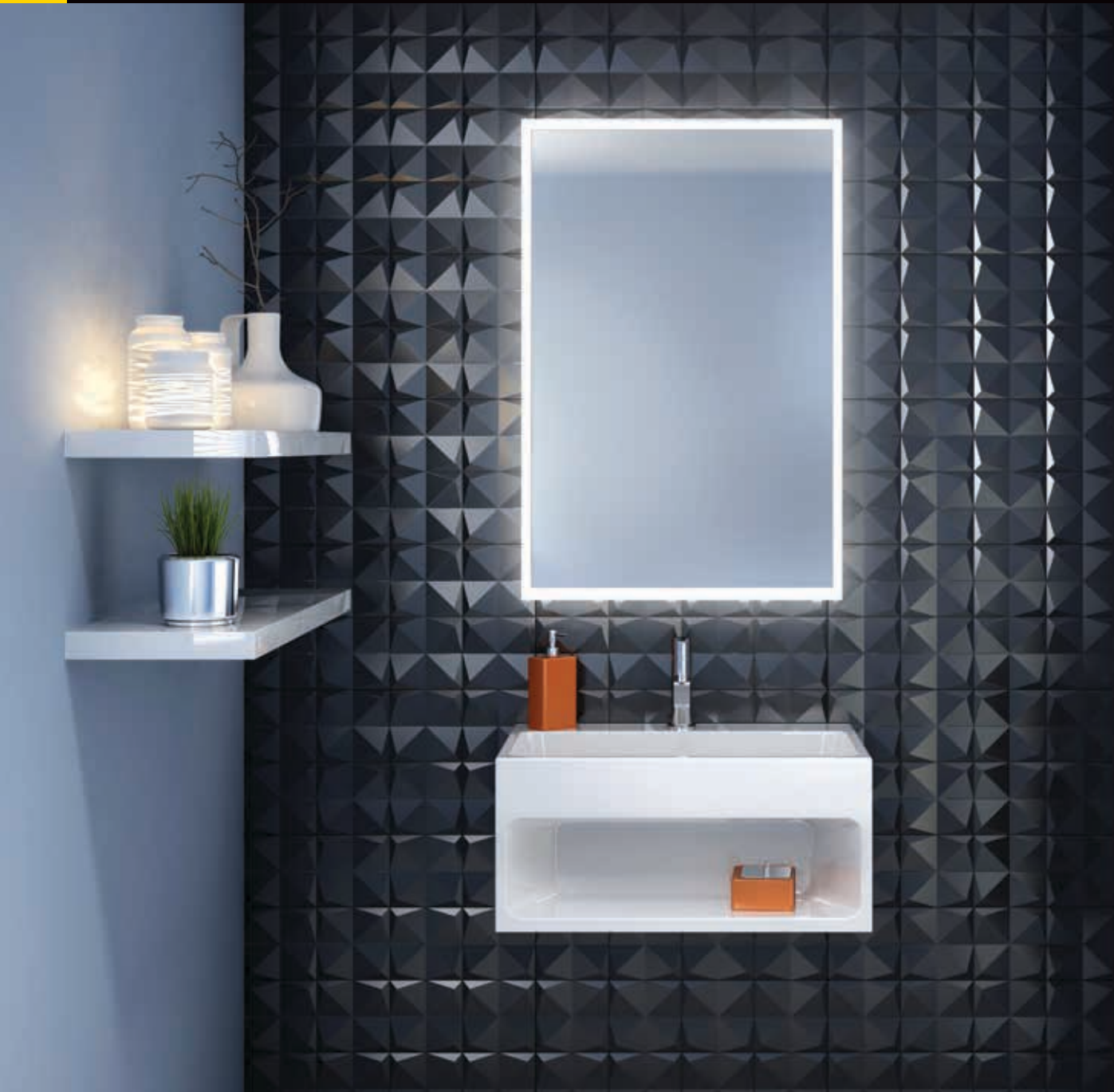
PANDORA mirror8-9



SOLIS bathroom mirror 10-11

DIMMER SPECIFICATIONS 12

TECHNICAL DRAWINGS..... 13-15



LED TECHNOLOGY
Energy efficient and compatible with an optional wall dimmer

ALUMINUM FRAME
For easy installation

UL LISTED FIXTURE
All components and product pass all UL listing codes

5MM DISTORTION FREE GLASS
For quality and clarity

DEFOGGER PAD
Targeted area for fog free reflection

ACID ETCHED LIGHT BAND
Allows light to pass through mirror face

COPPER-FREE MIRROR
Prevents black edge corrosion

PENCIL EDGE
For clean look

WARM WHITE LIGHT
Best lighting for makeup and shaving

ON-OFF TOUCH SWITCH
Easily located

SAFETY FILM BACKING
For security

3500K WARM WHITE LIGHT



Kelvin (K) is a unit of measurement used to describe the hue of a specific light source. This is not necessarily related to the heat output of the light source but rather the color of the light output. Kelvin values below 3500K will have a warmer, yellowish hue. Values between 3500K and 4500K will be in the white hue range. All values higher than 4500K will tend to have a more bluish hue. The prominence of the hues will increase as the values move away from the white hue's range. Daylight typically falls into the 5000-6000K range.

Lumens (lm) is the measure of the total quantity of visible light emitted by a source.



Rely on UL, one of the world's leading independent product testing organizations, when you want to ensure that the luminaires and lighting system controls you buy and use in your environment are high performing, reliable and safe. When you look for quality, look for the UL Mark.

HALO BATHROOM MIRROR

5
year limited
warranty

luna

	MODEL	PRICE	SIZE	DEFOGGER
ROUND	MHAR2424*	\$801	24" x 24"	Single centered
VERTICAL	MHA1836	\$856	18" x 36"	Single centered
	MHA2136	\$909	21" x 36"	Single centered
	MHA2436	\$1,007	24" x 36"	Single centered
	MHA3036	\$1,294	30" x 36"	Single centered
	MHA3636	\$1,379	36" x 36"	Single centered
HORIZONTAL	MHA4236	\$1,483	42" x 36"	Double centered
	MHA4836	\$1,610	48" x 36"	Double centered
	MHA5436	\$1,716	54" x 36"	Double split
	MHA6036	\$1,850	60" x 36"	Double split
	MHA7236	\$2,057	72" x 36"	Double split

For dimmer instructions, see page 12**

**Dimmer not compatible with MHAR2424

For technical drawings, see page 13

TECHNICAL SPECS

MODEL	LUMENS	KELVIN	WATTS	INPUT
MHAR2424*	1353 lm	CCT 3500 K	20W	120V AC, 50/60Hz
MHA1836	1517 lm	CCT 3500 K	43W	120V AC, 50/60Hz
MHA2136	1650 lm	CCT 3500 K	45W	120V AC, 50/60Hz
MHA2436	1725 lm	CCT 3500 K	45W	120V AC, 50/60Hz
MHA3036	1905 lm	CCT 3500 K	50W	120V AC, 50/60Hz
MHA3636	2100 lm	CCT 3500 K	50W	120V AC, 50/60Hz
MHA4236	2280 lm	CCT 3500 K	77W	120V AC, 50/60Hz
MHA4836	2460 lm	CCT 3500 K	79W	120V AC, 50/60Hz
MHA5436	2625 lm	CCT 3500 K	85W	120V AC, 50/60Hz
MHA6036	2835 lm	CCT 3500 K	80W	120V AC, 50/60Hz
MHA7236	3195 lm	CCT 3500 K	85W	120V AC, 50/60Hz

Intertek
*MHAR2424 model only

HALO



HALO ROUND MHAR2424

SUNRIZE BATHROOM MIRROR

5
year limited
warranty

	MODEL	PRICE	SIZE	DEFOGGER
VERTICAL	MSU2436	\$757	24" x 36"	Single centered
	MSU3036	\$925	30" x 36"	Single centered
	MSU3636	\$943	36" x 36"	Single centered
HORIZONTAL	MSU4236	\$970	42" x 36"	Double centered
	MSU4836	\$1,040	48" x 36"	Double centered

For dimmer instructions, see page 12
For technical drawings, see page 14

TECHNICAL SPECS

MODEL	LUMENS	KELVIN	WATTS	INPUT
MSU2436	630 lm	CCT 3500 K	40W	120V AC, 50/60Hz
MSU3036	630 lm	CCT 3500 K	40W	120V AC, 50/60Hz
MSU3636	630 lm	CCT 3500 K	40W	120V AC, 50/60Hz
MSU4236	630 lm	CCT 3500 K	65W	120V AC, 50/60Hz
MSU4836	630 lm	CCT 3500 K	65W	120V AC, 50/60Hz



SUNRIZE

luna



PANDORA MIRROR

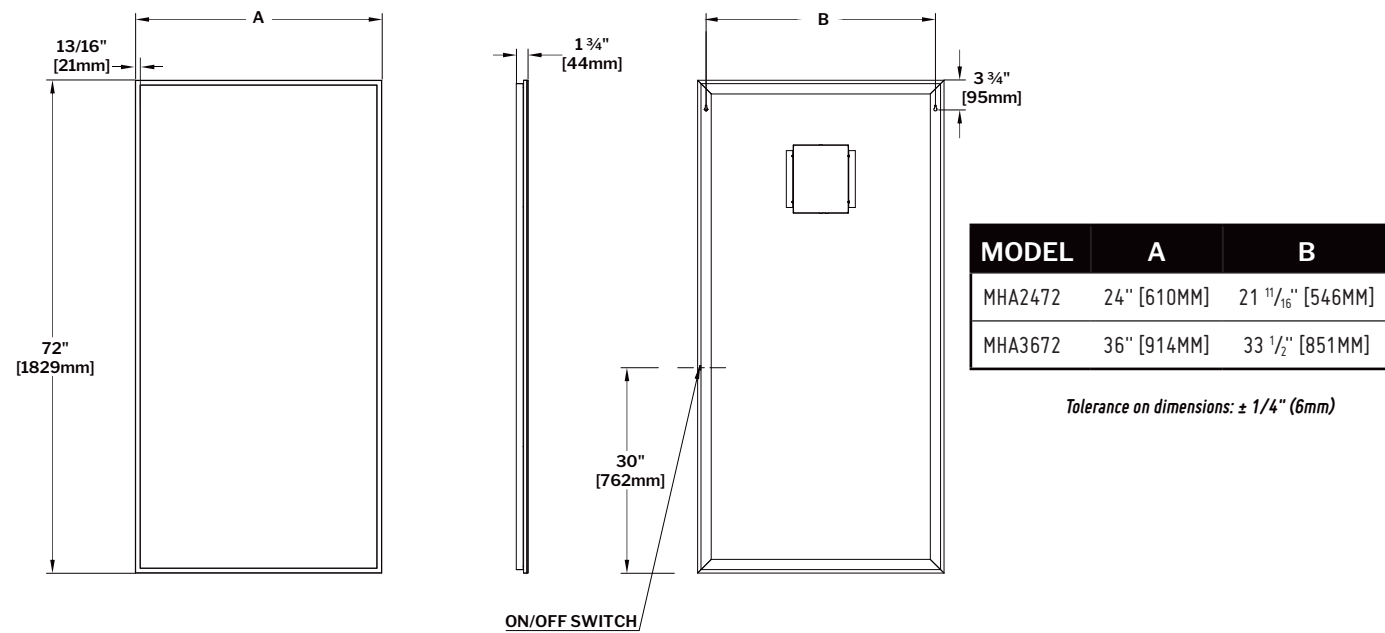
5
year limited
warranty

MODEL	PRICE	SIZE	DEFOGGER
MHA2472	\$1,641	24" x 72"	N/A
MHA3672	\$1,818	36" x 72"	N/A

For dimmer instructions, see page 12

TECHNICAL SPECS

MODEL	LUMENS	KELVIN	WATTS	INPUT
MHA2472	2835 lm	CCT 3500 K	31W	120V AC, 50/60Hz
MHA3672	3230 lm	CCT 3500 K	33W	120V AC, 50/60Hz



PANDORA

luna



SOLIS BATHROOM MIRROR

5
year limited
warranty

MODEL	PRICE	SIZE	DEFOGGER
MSOR2424-33	\$864	24" x 24"	Single centered
MSOR3030-33	\$1,032	30" x 30"	Single centered
MSOR3636-33	\$1,239	36" x 36"	Single centered

For technical drawings, see page 15

TECHNICAL SPECS

MODEL	LUMENS RANGE	KELVIN	WATTS	INPUT
MSOR2424-33	0-2592 lm	CCT 3500 K	27W	110V AC, 50/60Hz
MSOR3030-33	0-3283 lm	CCT 3500 K	34W	110V AC, 50/60Hz
MSOR3636-33	0-4018 lm	CCT 3500 K	42W	110V AC, 50/60Hz

Compatible with wall switch



SOLIS

luna



FEATURES

- ENERGY-EFFICIENT LED WARM WHITE LIGHT, SUITABLE FOR MAKEUP APPLICATION AND SHAVING
- COPPER-FREE AND DISTORTION-FREE MIRROR
- DEFOGGER PAD INCLUDED
- SAFETY FILM BACKING
- ON-OFF TOUCH SWITCH WITH BUILT-IN DIMMER
- MATTE BLACK METAL FRAME

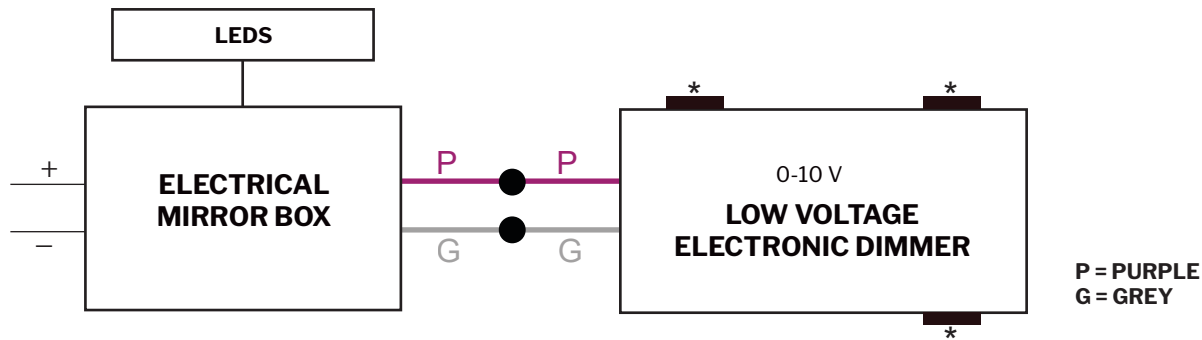
Products and specifications are subject to change without notice.

 **FLEURCO**™ www.fleurco.com

LIGHTED MIRRORS[†] CONNECTION DIAGRAM

[†]Compatible with Halo, Sunrize and Pandora mirrors. Not compatible with Solis mirror.

MIRROR TO WALL DIMMER



***FOLLOW MANUFACTURER INSTRUCTIONS FOR DIMMER INSTALLATION**

DIMMER SPECIFICATIONS:

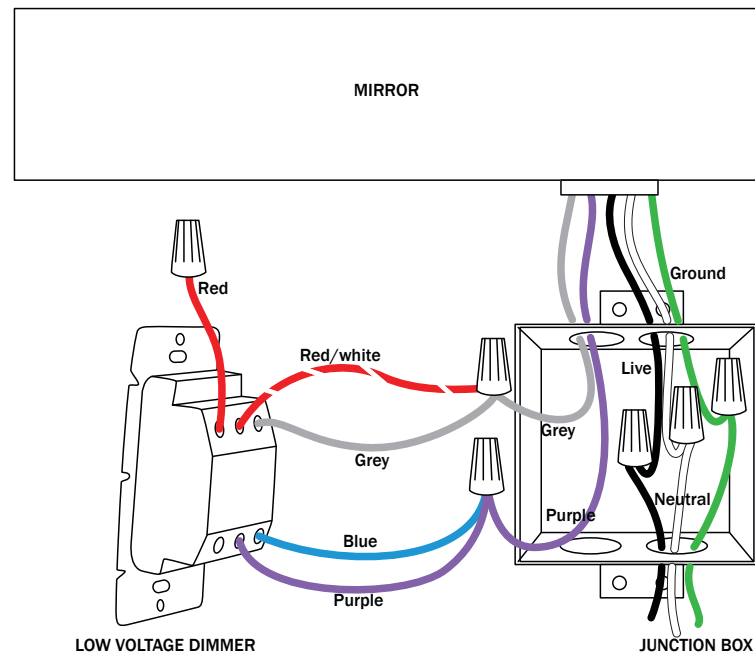
0-10V low voltage electric dimmer for LED lights.

NOTE:

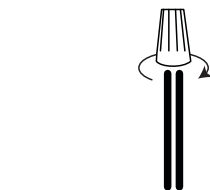
These electric components can be purchased at specialized electrical retailers. All wire extensions must be of low voltage type.

MODELS SUGGESTED:

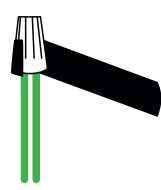
- DIVA DDTV from LUTRON
- IllumaTech IP710 from LEVITON
- DEVINE DF10P from COOPER
- SKYE SF10P COOPER



Wiring diagram for Lutron Diva DDTV Low Voltage Dimmer



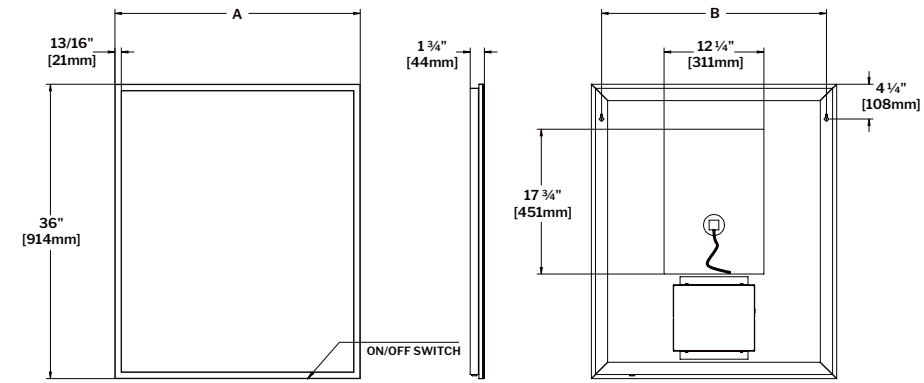
Insert wires straight then twist clockwise



Electrical tape

HALO TECHNICAL DRAWINGS

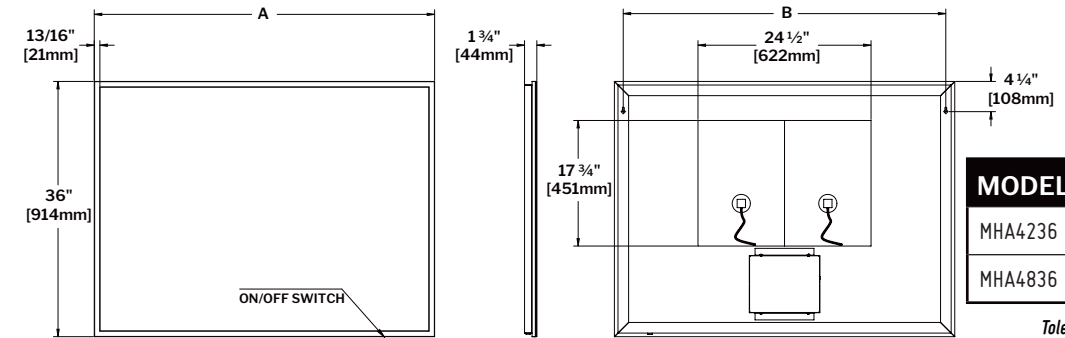
SINGLE CENTERED DEFOGGER



MODEL	A	B
MHA1836	18" [457MM]	15 1/2" [394MM]
MHA2136	21" [533MM]	18 1/2" [470MM]
MHA2436	24" [610MM]	21 1/2" [546MM]
MHA3036	30" [762MM]	27 1/2" [699MM]
MHA3636	36" [914MM]	33 1/2" [851MM]

Tolerance on dimensions: ± 1/4" (6mm)

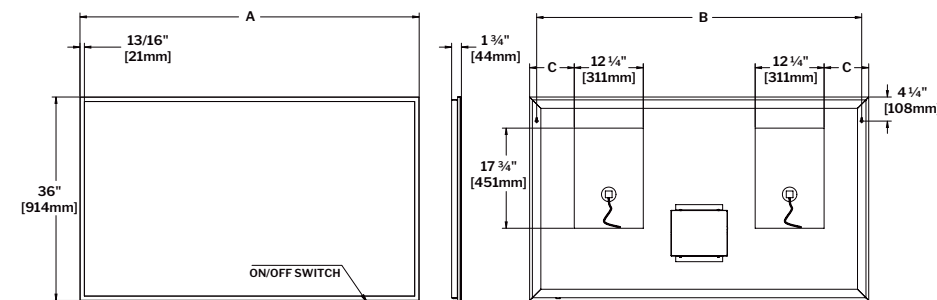
DOUBLE CENTERED DEFOGGER



MODEL	A	B
MHA4236	42" [1067MM]	39 1/2" [1003MM]
MHA4836	48" [1219MM]	45 1/2" [1156MM]

Tolerance on dimensions: ± 1/4" (6mm)

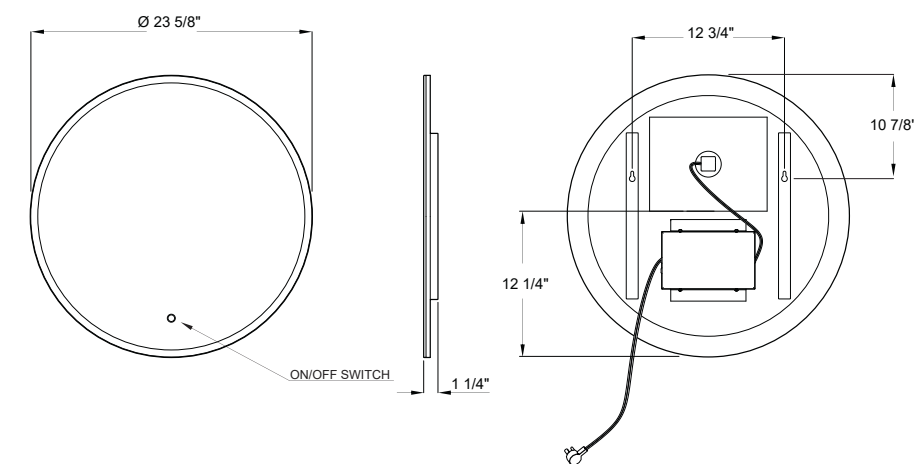
DOUBLE SPLIT DEFOGGER



MODEL	A	B	C
MHA5436	54" [1372MM]	51 1/2" [1308MM]	12 1/4" [311MM]
MHA6036	60" [1524MM]	57 1/2" [1461MM]	8" [203MM]
MHA7236	72" [1829MM]	69 1/2" [1765MM]	10" [254MM]

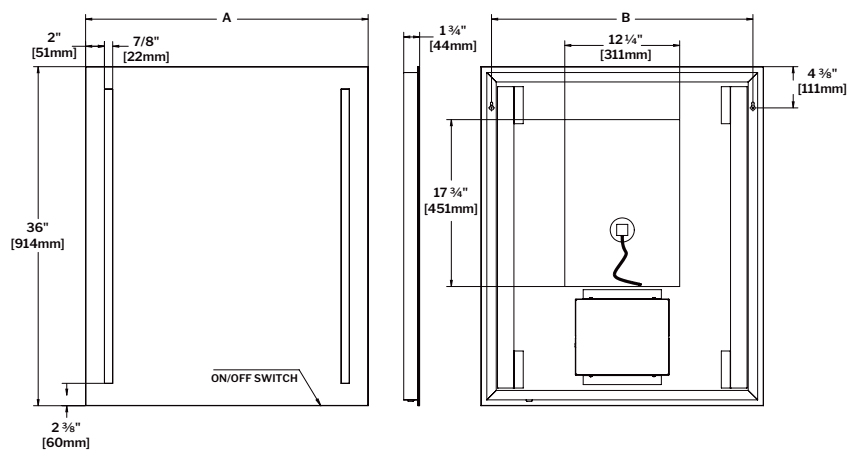
Tolerance on dimensions: ± 1/4" (6mm)

HALO ROUND



Tolerance on dimensions: ± 1/4" (6mm)

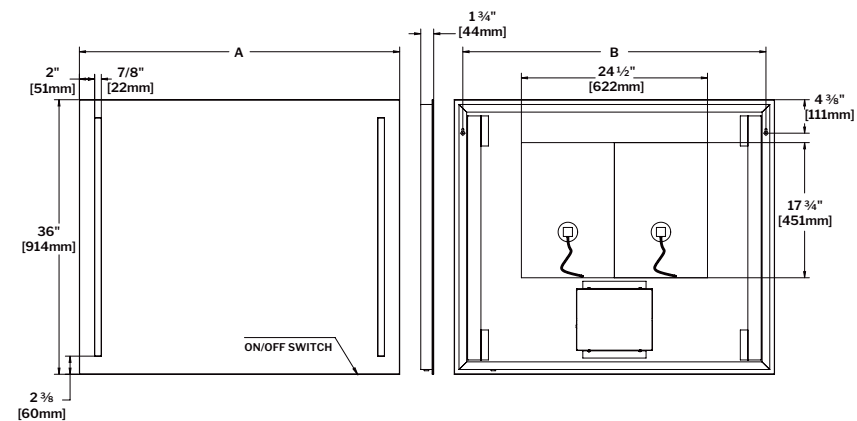
SINGLE CENTERED DEFOGGER



MODEL	A	B
MSU2436	24" [610MM]	21 3/4" [552MM]
MSU3036	30" [762MM]	27 3/4" [705MM]
MSU3636	36" [914MM]	33 3/4" [857MM]

Tolerance on dimensions: ± 1/4" (6mm)

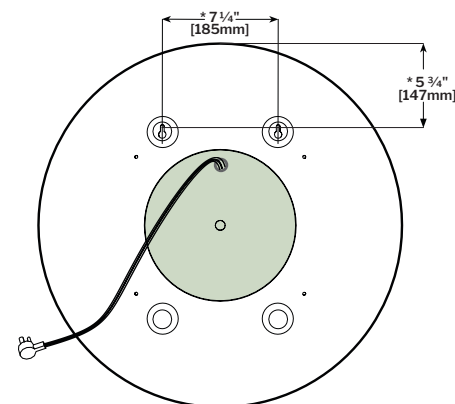
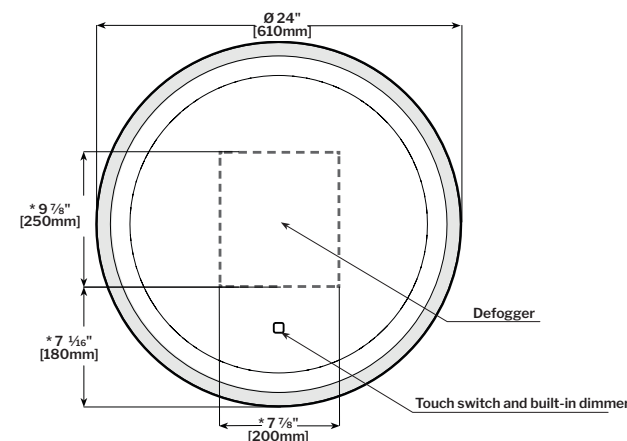
DOUBLE CENTERED DEFOGGER



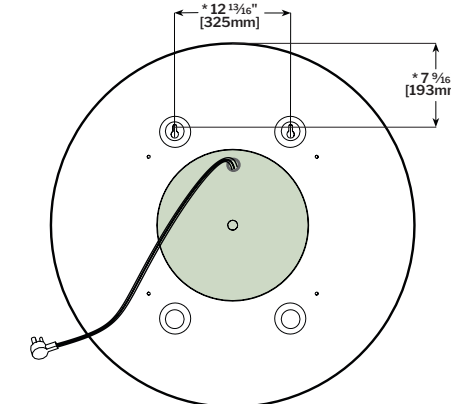
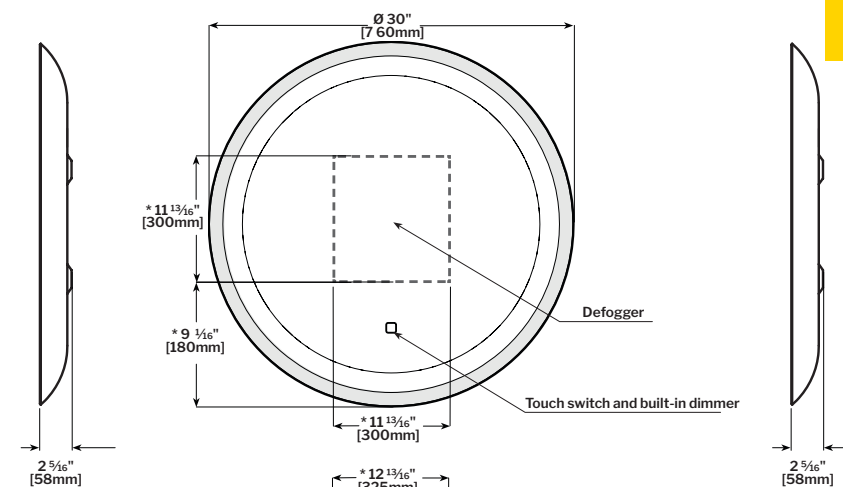
MODEL	A	B
MSU4236	42" [1067MM]	39 3/4" [1010MM]
MSU4836	48" [1219MM]	45 3/4" [1162MM]

Tolerance on dimensions: ± 1/4" (6mm)

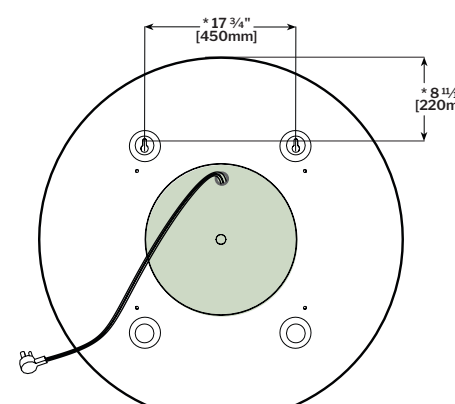
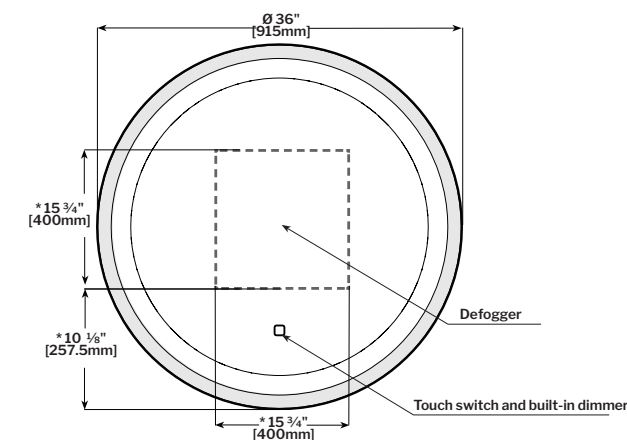
MSOR2424-33
SINGLE CENTERED DEFOGGER



MSOR3030-33
SINGLE CENTERED DEFOGGER



MSOR3636-33
SINGLE CENTERED DEFOGGER



The mirror is fitted with a plug. A recessed receptacle is required for a proper wall mount installation.

Recommended zone for the recessed outlet.

Reference only (approximate dimension).
Product specifications are subject to change without notice.

