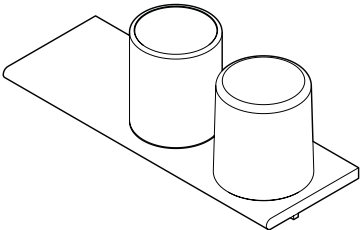


BATHROOM ACCESSORIES

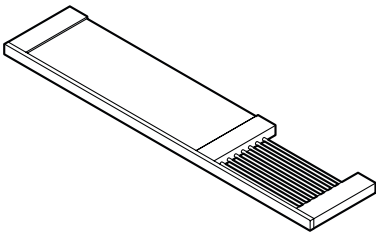
veritas



veritas
mod



veritas
PREMIÈRE



BATHROOM ACCESSORIES



AURA..... 4
Corner shower shelf



ELOQUENCE 8
Corner shelf & drawer



AURA..... 4
Double corner shower shelf



DOMUS 8
Shower shelf



AURA..... 5
Shower shelf



DOMUS 9
Shelf with adapter and hooks



AURA..... 5
Double shower shelf



DOMUS 9
Shelf with adapter



ELOQUENCE 6
Shelf & drawer with toilet paper holder



CLARO 10
Corner shelf with squeegee



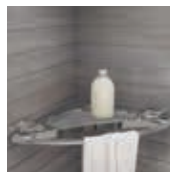
ELOQUENCE 6
Shelf & drawer with double toilet paper holder



CORNER GLASS SHELF 11



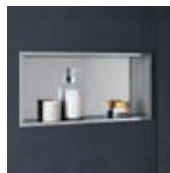
ELOQUENCE 7
Shelf & drawer with hooks



CORNER METAL SHELF 12



ELOQUENCE 7
Shelf & double drawer



NICHES..... 13

BATHROOM ACCESSORIES



SQUARE TOWEL BAR 14
 Soap dispenser, tumbler & soap dish



SOAP RACK 19
 With glass shelf



ROUND TOWEL BAR 15
 Soap dispenser, tumbler & soap dish



HANDBAR/FOOTREST 19



SHELF 16
 With square tumbler & soap dispenser



HANDBAR/FOOTREST 20
 With basket



SHELF 16
 With round tumbler & soap dispenser



HANDBAR/FOOTREST 20
 Corner



SHELF 17
 With soap dispenser, tumbler & soap dish



GRAB RAIL 21



TOWEL BAR 18



BATH STOOL 21



MODEL VAC1010-18-11



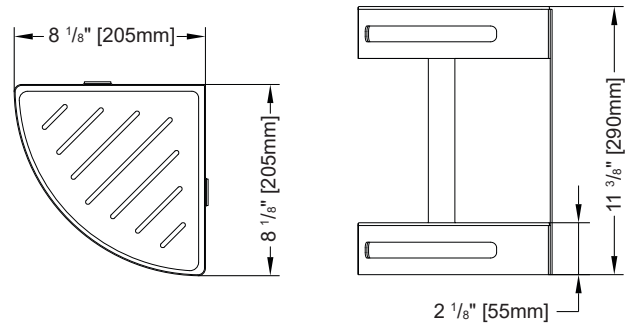
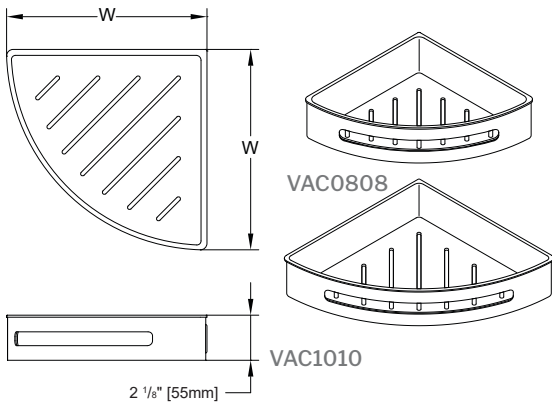
MODEL VAC20808-18-11

AURA CORNER SHOWER SHELF

MODEL	FINISH	PRICE
8 1/8" (205mm) W · 2 1/8" (55mm) H		
VAC0808-18-11	White/Chrome	\$67
9 3/4" (245mm) W · 2 1/8" (55mm) H		
VAC1010-18-11	White/Chrome	\$85

AURA DOUBLE CORNER SHOWER SHELF

MODEL	FINISH	PRICE
8 1/8" (205mm) W · 11 3/8" (290mm) H		
VAC20808-18-11	White/Chrome	\$186



- Spacious corner basket(s) for your shower
- Slotted bottom for proper drainage
- Removable white tray for easy cleaning
- Can be installed at any height
- Materials: Stainless steel & ABS

5
year limited
warranty



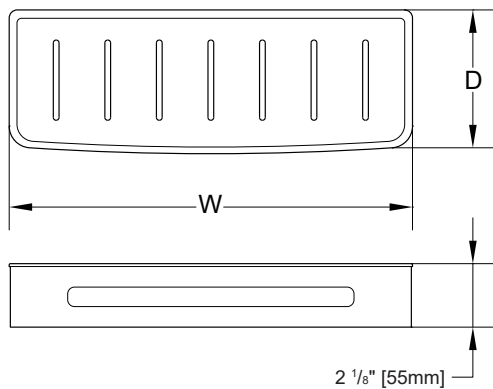
MODEL VA1105-18-11



MODEL VA21105-18-11

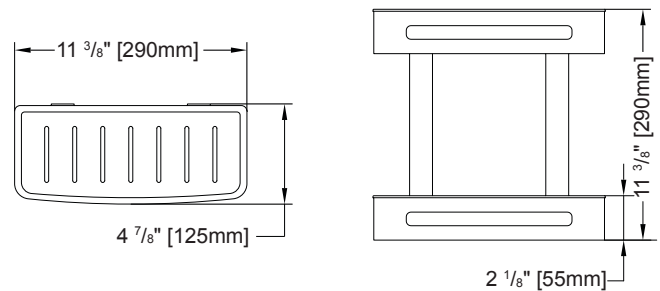
AURA SHOWER SHELF

MODEL	FINISH	PRICE
11 3/8" (290mm) W · 4 7/8" (125mm) D · 2 1/8" (55mm) H		
VA1105-18-11	White/Chrome	\$67
13 7/8" (350mm) W · 4 7/8" (125mm) D · 2 1/8" (55mm) H		
VA1405-18-11	White/Chrome	\$80



AURA DOUBLE SHOWER SHELF

MODEL	FINISH	PRICE
11 3/8" (290mm) W · 4 7/8" (125mm) D · 11 3/8" (290mm) H		
VA21105-18-11	White/Chrome	\$186



- Spacious basket(s) for your shower
- Slotted bottom for proper drainage
- Removable white tray for easy cleaning

- Can be installed at any height
- Materials: Stainless steel & ABS

5
year limited
warranty



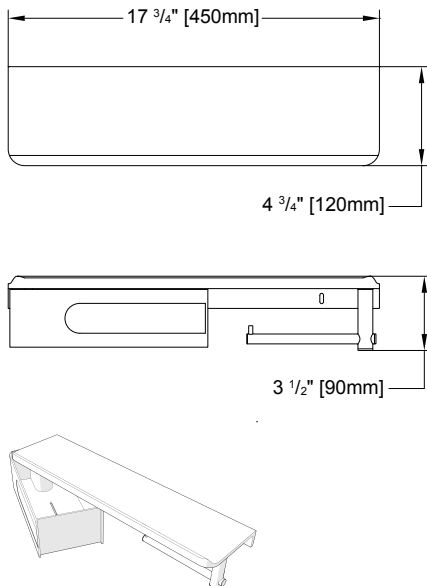
MODEL VE1805-18-11



MODEL VE1005-18-11

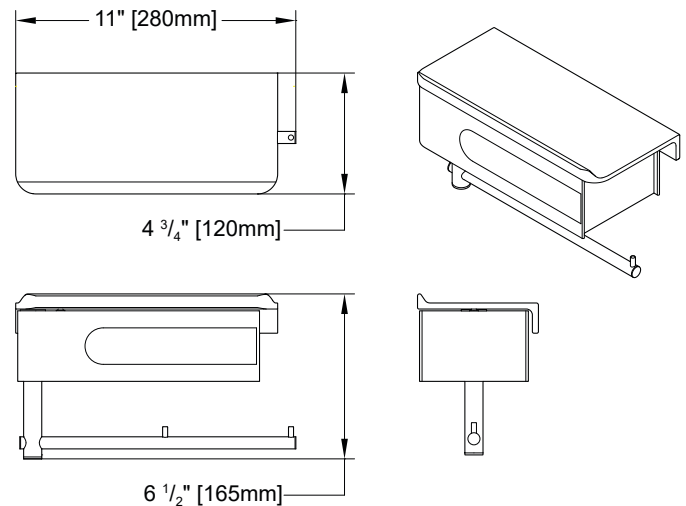
ELOQUENCE SHELF & DRAWER WITH TOILET PAPER HOLDER

MODEL	FINISH	PRICE
17 3/4" (450mm) W · 4 3/4" (120mm) D · 3 1/2" (90mm) H		
VE1805-18-11	White/Chrome	\$228



ELOQUENCE SHELF & DRAWER WITH DOUBLE TOILET PAPER HOLDER

MODEL	FINISH	PRICE
11" (280mm) W · 4 3/4" (120mm) D · 6 1/2" (165mm) H		
VE1005-18-11	White/Chrome	\$150



- 3-in-1 multi-functional shelf
- Shelf & drawer storage
- Toilet paper holder
- Swivel hook for easy TP replacement

- Drawer pivots out
- Can be installed at any height
- Materials: Stainless steel, aluminum & ABS

5
year limited
warranty



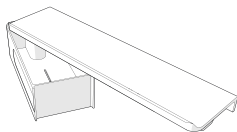
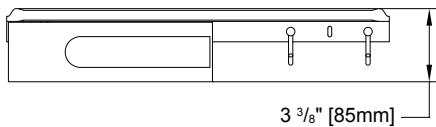
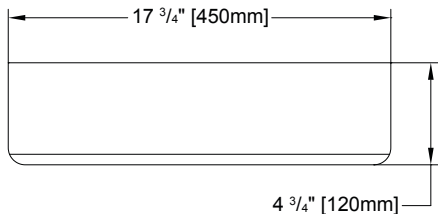
MODEL VEH1805-18-11



MODEL VE2005-18-11

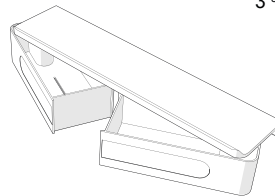
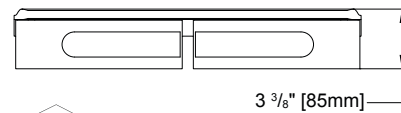
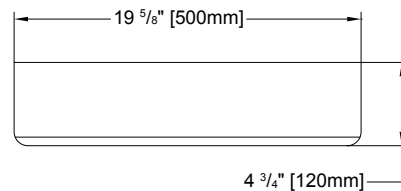
ELOQUENCE SHELF & DRAWER WITH HOOKS

MODEL	FINISH	PRICE
17 3/4" (450mm) W · 4 3/4" (120mm) D · 3 3/8" (85mm) H		
VEH1805-18-11	White/Chrome	\$235



ELOQUENCE SHELF & DOUBLE DRAWER

MODEL	FINISH	PRICE
19 5/8" (500mm) W · 4 3/4" (120mm) D · 3 3/8" (85mm) H		
VE2005-18-11	White/Chrome	\$244



- Multi-functional shelf for bathroom or shower installation
- Shelf & drawer storage
- Drawer pivots out

- Slotted bottom in drawer for proper water drainage
- Can be installed at any height
- Materials: Aluminum & ABS

5
year limited
warranty



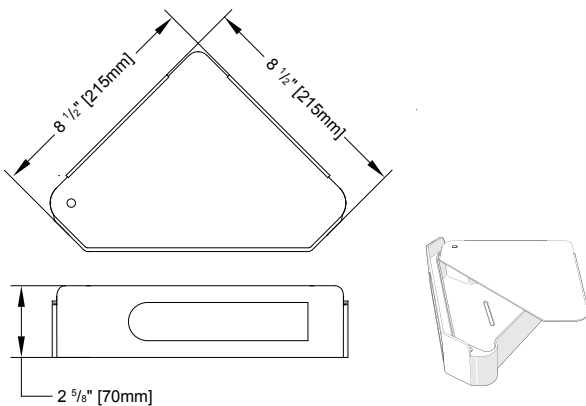
MODEL VEC0808-18-11



MODEL VD1304-18-11

ELOQUENCE CORNER SHELF & DRAWER

MODEL	FINISH	PRICE
8 1/2" (215mm) W · 2 5/8" (70mm) H		
VEC0808-18-11	White/Chrome	\$137

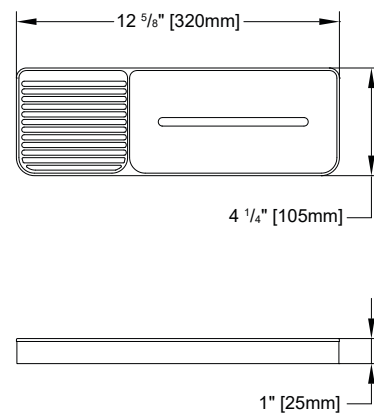


- 2-in-1 multi-functional corner shelf for bathroom or shower installation
- Shelf & drawer storage
- Drawer pivots out
- Slotted bottom in drawer for proper water drainage
- Can be installed at any height
- Materials: Stainless steel & ABS

5
year limited
warranty

DOMUS SHOWER SHELF

MODEL	FINISH	PRICE
12 5/8" (320mm) W · 4 1/4" (105mm) D · 1" (25mm) H		
VD1304-18-11	White/Chrome	\$67



- Shower shelf with slotted bottom for proper drainage
- Can be installed at any height
- Materials: Stainless steel & ABS

5
year limited
warranty



Rod not included.
MODEL VDH1105-18-11



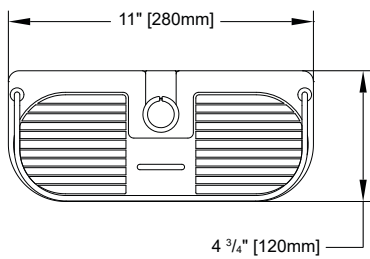
Rod not included.
MODEL VD1105-18-11

DOMUS SHELF WITH ADAPTER & HOOKS

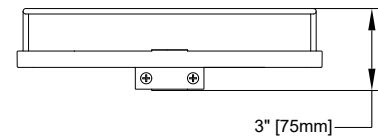
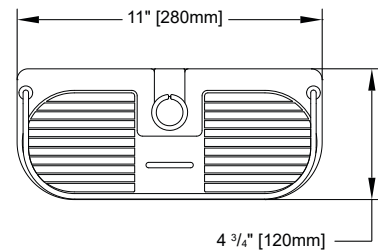
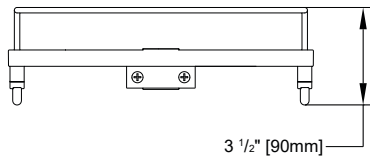
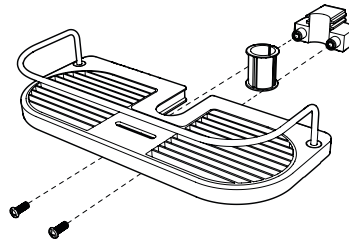
MODEL	FINISH	PRICE
11" (280mm) W · 4 3/4" (120mm) D · 3 1/2" (90mm) H		
VDH1105-18-11	White/Chrome	\$99

DOMUS SHELF WITH ADAPTER

MODEL	FINISH	PRICE
11" (280mm) W · 4 3/4" (120mm) D · 3" (75mm) H		
VD1105-18-11	White/Chrome	\$67



Installation example:



- Shower shelf for slide rod installation
- Slotted bottom for proper drainage
- 3 gaskets supplied in order to fit the shelf on any rod 18mm - 25mm in diameter

- Attaches to pre-installed rod
- Materials: Chrome plated brass & ABS

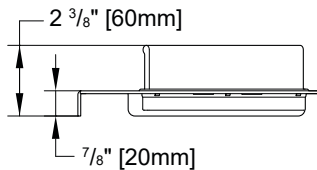
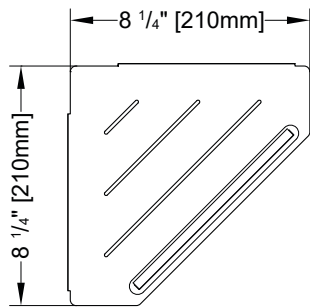
5
year limited
warranty



MODEL VCC0808-18-11

CLARO CORNER SHELF WITH SQUEEGEE

MODEL	FINISH	PRICE
8 1/4" (210mm) W · 7/8" (20mm) H · 2 3/8" (60mm) H with squeegee		
VCC0808-18-11	White/Chrome	\$93



- Corner shower shelf storage
- Removable squeegee for quick and easy shower cleaning
- Slotted bottom for proper drainage
- Stainless steel surface
- Can be installed at any height
- Materials: Stainless steel & aluminum

5
year limited
warranty



MODEL GSK10R-11



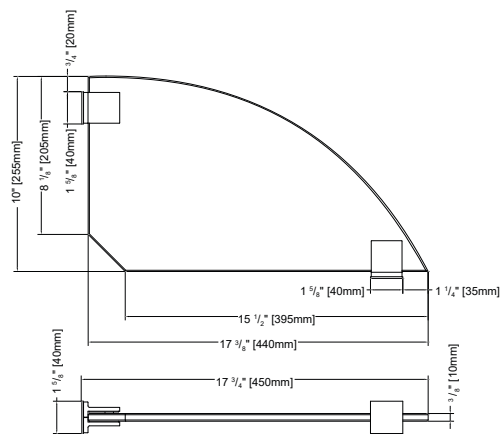
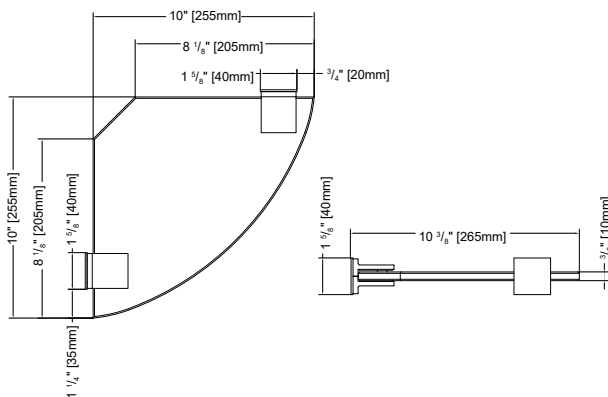
MODEL GSK17S-11

CORNER GLASS SHELF

MODEL	BRACKETS	FINISH	PRICE
10" (255mm) W · 10" (255mm) D			
GSK10R-11	Round	Chrome	\$315
GSK10R-25	Round	Brushed Nickel	\$344
GSK10S-11	Square	Chrome	\$307
GSK10S-25	Square	Brushed Nickel	\$330

CORNER GLASS SHELF

MODEL	BRACKETS	FINISH	PRICE
17 3/4" (450mm) W · 10" (255mm) D			
GSK17R-11	Round	Chrome	\$372
GSK17R-25	Round	Brushed Nickel	\$402
GSK17S-11	Square	Chrome	\$362
GSK17S-25	Square	Brushed Nickel	\$390



- Optional for a wall-to-wall application
- Ideal for extra storage
- Can be installed at any height
- 3/8" (10 mm) clear tempered glass

- Comes with two wall brackets, either round or square

5
year limited
warranty



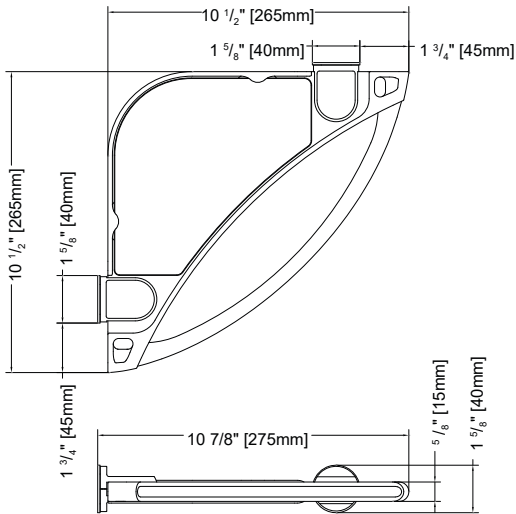
MODEL MGSK10R-11



MODEL MGSK17R-11

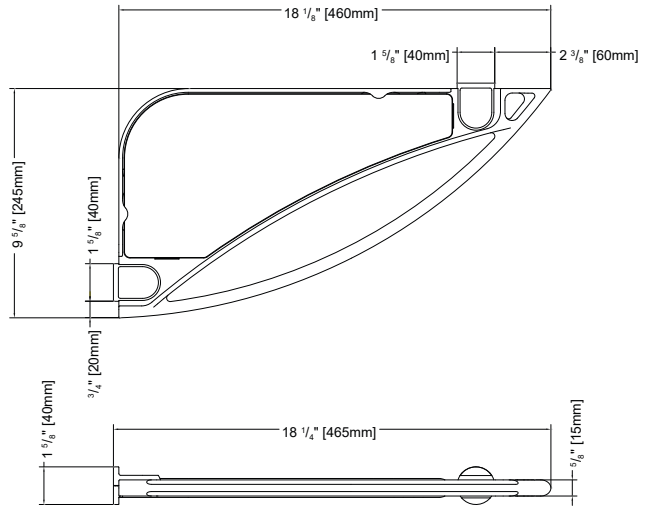
CORNER METAL SHELF

MODEL	BRACKETS	FINISH	PRICE
10 1/2" (265mm) W · 10 1/2" (265mm) D			
MGSK10R-11	Round	Chrome	\$381
MGSK10R-25	Round	Brushed Nickel	\$407



CORNER METAL SHELF

MODEL	BRACKETS	FINISH	PRICE
18 1/8" (460mm) W · 9 5/8" (245mm) D			
MGSK17R-11	Round	Chrome	\$442
MGSK17R-25	Round	Brushed Nickel	\$464



- Optional for a wall-to-wall application
- Ideal for extra storage
- Can be installed at any height
- 3/16" (4 mm) clear tempered glass top

- Comes with round wall brackets
- Integrated towel support
- Material: Zinc cast, chrome or brushed nickel plated

5
year limited
warranty



MODEL VN2412-11

NICHES

MODEL	FINISH	PRICE	
12" (305mm) W · 3 1/4" (85mm) D · 12" (305mm) H			
VN1212-11	Chrome	\$281	
VN1212-35	Brushed Stainless	\$281	
16" (405mm) W · 3 1/4" (85mm) D · 12" (305mm) H			
VN1612-11	Chrome	\$332	
VN1612-35	Brushed Stainless	\$332	
24" (610mm) W · 3 1/4" (85mm) D · 12" (305mm) H			
VN2412-11	Chrome	\$362	
VN2412-35	Brushed Stainless	\$362	

Chrome

Brushed Stainless



- Space saving shelves - ideal for storage
- Material: stainless steel
- Chamfered edges
- Quick and easy installation on walls covered with tiles

5
year limited
warranty



MODELS VMODB60-11-T
 + VMODD-80-T
 + VMODG-80-T
 + VMODP-11-80-T

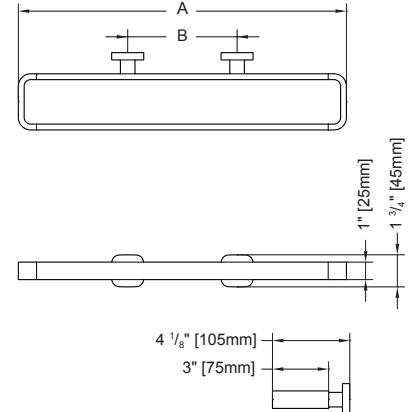
SOLD SEPARATELY

SQUARE TOWEL BAR SOAP DISPENSER, TUMBLER & SOAP DISH



Can be installed vertically as a towel holder

MODEL		FINISH	PRICE
	TOWEL BAR 45CM VMODB45-11-T VMODB45-33-T Fits up to 3 accessories (sold separately)	Chrome Matte Black	\$344 \$370
	TOWEL BAR 60CM VMODB60-11-T VMODB60-33-T Fits up to 4 accessories (sold separately)	Chrome Matte Black	\$424 \$463
	TUMBLER VMODG-80-T	Mist Glass	\$30
	SOAP DISH VMODD-80-T	Mist Glass	\$30
	SOAP DISPENSER VMODP-11-80-T VMODP-33-80-T	Mist Glass / Chrome Mist Glass / Matte Black	\$72 \$79



MODEL	A	B
VMODB45-T	17 3/4" [450MM]	5 7/8" [150MM]
VMODB60-T	23 5/8" [600MM]	11 3/4" [300MM]

- Multi-function towel bar with mix & match compatible accessories (sold separately); soap dispenser, tumbler and soap dish
- Towel bar can be installed vertically for towel storage
- Gaskets ensure secure placement in bar
- Can be installed at any height
- Materials: Towel bar - brass, zinc
Accessories - mist glass, brass
- Available finishes:
Towel bar - chrome or matte black
Accessories - mist glass with chrome or matte black (soap dispenser only)

5
year limited warranty



MODELS VMO DB60-33-R
 + VMODD-80-R
 + VMODP-33-80-R
 + VMODG-80-R

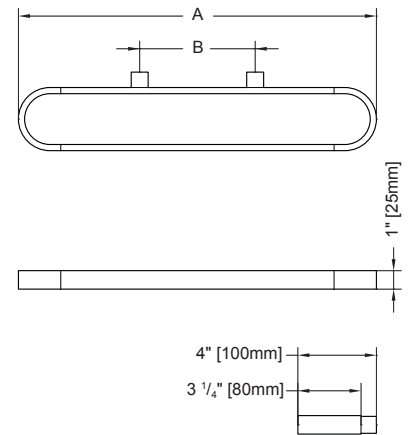
SOLD SEPARATELY

ROUND TOWEL BAR SOAP DISPENSER, TUMBLER & SOAP DISH



Can be installed vertically as a towel holder

MODEL		FINISH	PRICE
	TOWEL BAR 45CM VMO DB45-11-R VMO DB45-33-R Fits up to 3 accessories (sold separately)	Chrome Matte Black	\$477 \$518
	TOWEL BAR 60CM VMO DB60-11-R VMO DB60-33-R Fits up to 4 accessories (sold separately)	Chrome Matte Black	\$543 \$584
	TUMBLER VMO DG-80-R	Mist Glass	\$39
	SOAP DISH VMO DD-80-R	Mist Glass	\$55
	SOAP DISPENSER VMO DP-11-80-R VMO DP-33-80-R	Mist Glass / Chrome Mist Glass / Matte Black	\$90 \$101



MODEL	A	B
VMO DB45-R	18 1/2" [465MM]	5 7/8" [150MM]
VMO DB60-R	24 1/2" [615MM]	11 3/4" [300MM]

- Multi-function towel bar with mix & match compatible accessories (sold separately); soap dispenser, tumbler and soap dish
- Towel bar can be installed vertically for towel storage
- Gaskets ensure secure placement in bar
- Can be installed at any height
- Materials: Towel bar - brass, zinc
Accessories - mist glass, brass
- Available finishes:
Towel bar - chrome or matte black
Accessories - mist glass with chrome or matte black (soap dispenser only)

5
year limited warranty



MODEL VMODSGP-33-80-T



MODEL VMODSGP-11-80-R

SHELF WITH SQUARE TUMBLER & SOAP DISPENSER

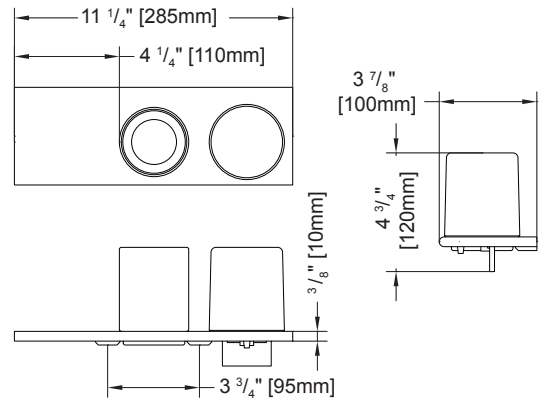
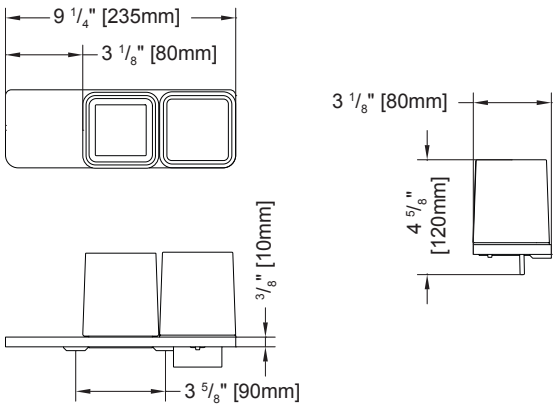
MODEL	FINISH	PRICE
9 1/4" (235mm) W · 3 1/8" (80mm) D · 4 5/8" (120mm) H		
VMODSGP-11-80-T	Mist Glass / Chrome	\$477
VMODSGP-33-80-T	Mist Glass / Matte black	\$530

Includes square tumbler & soap dispenser

SHELF WITH ROUND TUMBLER & SOAP DISPENSER

MODEL	FINISH	PRICE
11 1/4" (285mm) W · 3 7/8" (100mm) D · 4 3/4" (120mm) H		
VMODSGP-11-80-R	Mist Glass / Chrome	\$477
VMODSGP-33-80-R	Mist Glass / Matte black	\$530

Includes round tumbler & soap dispenser



- Space-saving shelf = less on counter tops and sinks
- Soap dispenses from the bottom
- Gaskets ensure secure placement
- Can be installed at any height

- Materials: Shelf - aluminum, zinc
Accessories - mist glass, ABS
- Available finishes:
Shelf - chrome or matte black
Accessories - mist glass

5
year limited
warranty

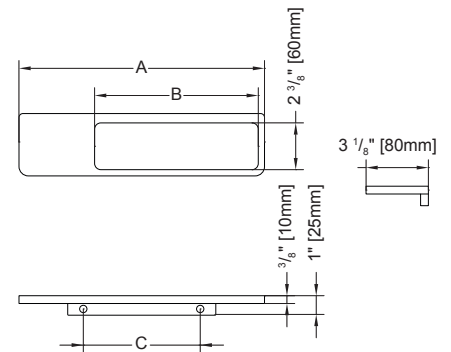


MODELS VMODMS24-11-T
 + VMODMP-11-80-T SOLD SEPARATELY
 + VMODMG-80-T

SHELF

SOAP DISPENSER, TUMBLER & SOAP DISH

MODEL		FINISH	PRICE
	SHELF 24CM VMODMS24-11-T VMODMS24-33-T 2 accessory slots (sold separately)	Chrome Matte Black	\$251 \$277
	SHELF 32CM VMODMS32-11-T VMODMS32-33-T 3 accessory slots (sold separately)	Chrome Matte Black	\$331 \$357
	TUMBLER VMODMG-80-T Uses 1 slot	Mist Glass	\$45
	SOAP DISH VMODMD-80-T Uses 2 slots	Mist Glass	\$53
	SOAP DISPENSER VMODMP-11-80-T VMODMP-33-80-T Uses 1 slot	Mist Glass / Chrome Mist Glass / Matte Black	\$251 \$277



MODEL	A	B	C
VMODMS24	9 1/4" [235MM]	5 1/2" [140MM]	3 1/8" [80MM]
VMODMS32	12 3/8" [315MM]	8 1/4" [210MM]	5 7/8" [150MM]

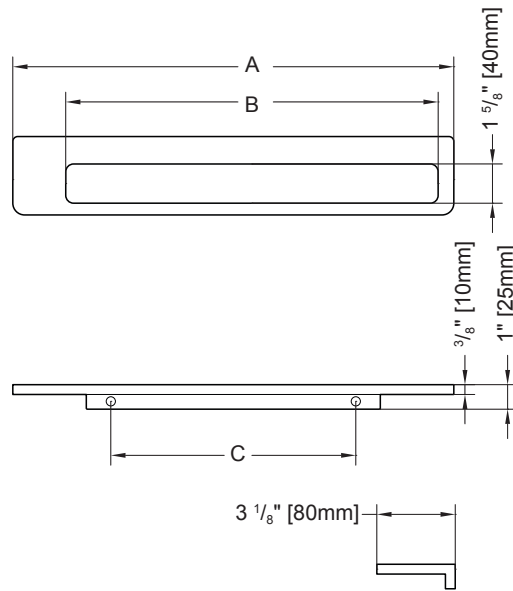
- Multi-function shelf for towel, or mix & match compatible accessories (sold separately); soap dispenser, tumbler and soap dish
- Gasket in shelf ensures a secure placement for accessories
- Can be installed at any height
- Materials: Shelf - aluminum
Accessories - mist glass, brass
- Available finishes:
Shelf - chrome or matte black
Accessories - mist glass with chrome or matte black (soap dispenser only)

5
year limited warranty

MODEL VMODTB60-33

TOWEL BAR

MODEL	FINISH	PRICE
TOWEL BAR 45CM		
VMODTB45-11	Chrome	\$477
VMODTB45-33	Matte black	\$530
TOWEL BAR 60CM		
VMODTB60-11	Chrome	\$543
VMODTB60-33	Matte black	\$596



MODEL	A	B	C
VMODTB45	17 3/4" [450MM]	15" [380MM]	9 7/8" [250MM]
VMODTB60	23 5/8" [600MM]	20 7/8" [530MM]	15 3/4" [400MM]

- Sleek & stylish
- Can be installed at any height
- Material: aluminum
- Available finishes: chrome or matte black

5
year limited
warranty



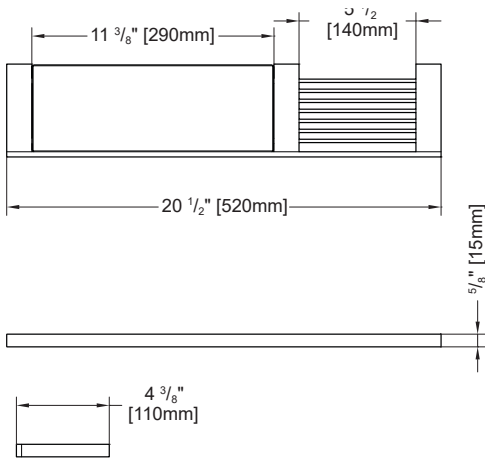
MODEL VPGS52-11-80



MODEL VPR32-11-33

SOAP RACK WITH GLASS SHELF

MODEL	FINISH	PRICE
20 1/2" (520mm) W · 4 3/8" (110mm) D · 5/8" (15mm) H		
VPGS52-11-80	Chrome / Mist Glass	\$427

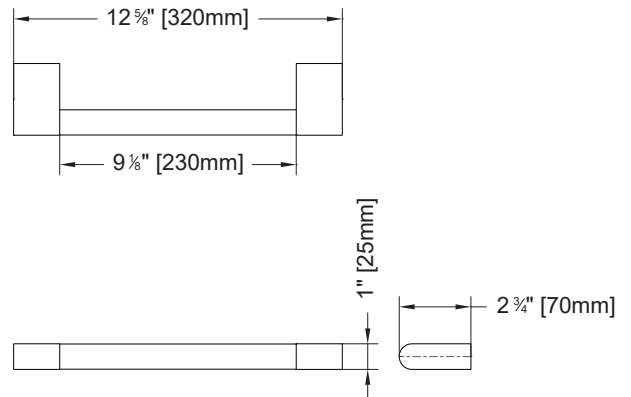


- Slotted soap rack for water drainage
- Removable glass for easy cleaning
- Sticker guides for easy installation
- Can be installed at any height
- Materials: chrome plated brass & 1/4" (6mm) tempered mist glass

5
year limited warranty

HANDBAR/FOOTREST

MODEL	FINISH	PRICE
12 5/8" (320mm) W · 2 3/4" (70mm) D · 1" (25mm) H		
VPR32-11-33	Black / Chrome	\$234



- Ideal for your shower
- Stylish and functional
- Anti-slip covering
- Easy to install
- Can be installed at any height
- Materials: chrome plated brass & insulated plastic

5
year limited warranty



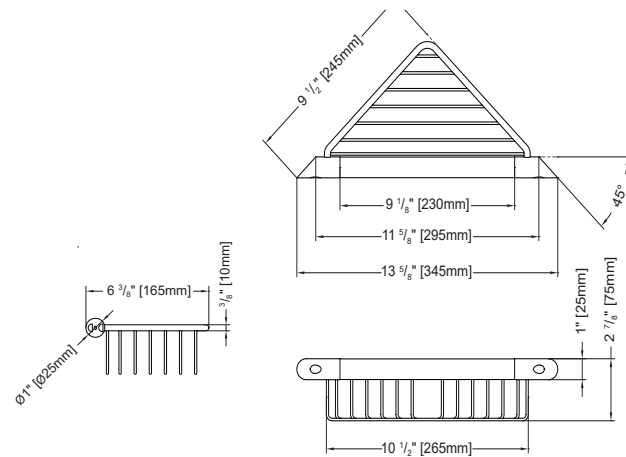
MODEL VPR34CB-11-33



MODEL VPR34C-11-33

HANDBAR/FOOTREST WITH BASKET

MODEL	FINISH	PRICE
9 1/2" (245mm) W · 2 7/8" (75mm) H · 1" (25mm) Diameter		
VPR34CB-11-33	Black / Chrome	\$322

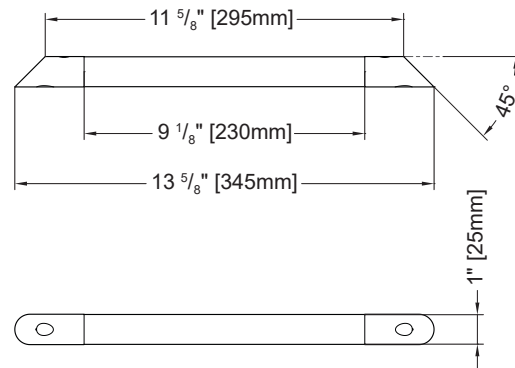


- 45° angle spacious corner basket
- Stylish and functional
- Anti-slip covering
- Slotted bottom for water drainage
- Can be installed at any height
- Materials: chrome plated brass, chrome plated zinc & insulated plastic

5
year limited
warranty

HANDBAR/FOOTREST CORNER

MODEL	FINISH	PRICE
13 5/8" (345mm) W · 1" (25mm) Diameter		
VPR34C-11-33	Black / Chrome	\$206



- 45° angle corner handbar/footrest ideal for your shower
- Stylish and functional
- Anti-slip covering
- Easy to install
- Can be installed at any height
- Materials: chrome plated brass & insulated plastic

5
year limited
warranty



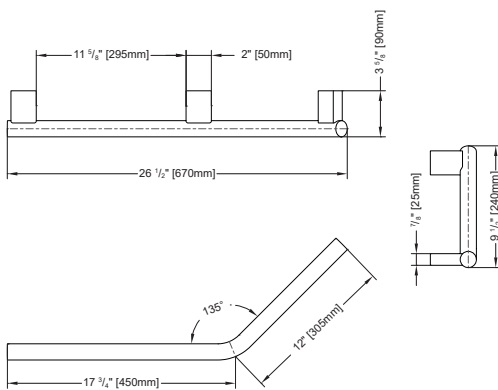
MODEL VPBA67-11R



MODEL VPS3733-11-33

GRAB RAIL

MODEL	FINISH	CONFIGURATION	PRICE
26 1/2" (670mm) W · 3 5/8" (90mm) D · 1 1/4" (32mm) Diameter			
VPBA67-11L	Chrome	Left	\$569
VPBA67-11R	Chrome	Right	\$569

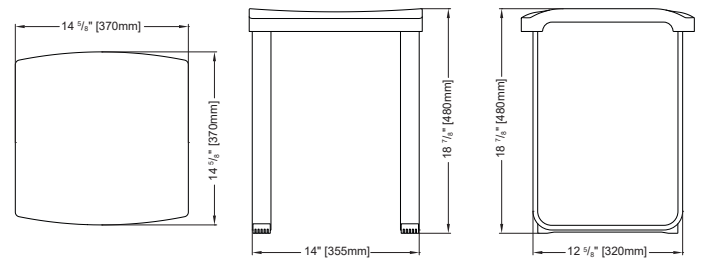


- 135° grab rail for your shower or bath
- Stylish and functional
- Easy to install
- Can be installed at any height
- ADA compliant – adds mobility for seniors
- Material: chrome plated brass

5
year limited
warranty

BATH STOOL

MODEL	FINISH	PRICE
14 5/8" (370mm) W · 14 5/8" (370mm) D · 18 7/8" (480mm) H		
VPS3733-11-33	Black / Chrome	\$972



- Comfortable stool for inside or outside your shower
- Stylish and functional
- Easy to clean
- Rubber grip under feet to prevent slipping
- Adds mobility for seniors
- Can withstand 1500 lbs.
- Materials: polypropylene & aluminum

5
year limited
warranty

LIMITED PRODUCT WARRANTY

This limited warranty is valid for the original end-used purchaser/consumer (herein, the “original purchaser”) only and may not be transferred or assigned.

The original purchaser must carefully read and retain a copy of this warranty together with the original installation manual for the limited warranty purposes. If the original purchaser has not received a copy of the installation manual, it may be obtained online at www.fleurco.com or by contacting Fleurco Products Inc. at 1-800-993-0033.

Fleurco Products Inc. (“Fleurco”) warrants all shower doors composed primarily of tempered glass¹, PVC seals, aluminum, stainless steel and/or brass as well as all acrylic shower bases and tubs composed primarily of acrylic sheet and fiberglass, to be free from defects in material and workmanship under normal use and maintenance for a period of ten (10) years from the original date of purchase.

Fleurco warrants all mirrors composed primarily of glass, aluminum and electric components, poly marble textured bases and vanities to be free from defects in material and workmanship under normal use and maintenance for a period of years (5) years from the original date of purchase.

The limited product warranty for Fibo by Fleurco Wall Systems is available at www.fleurco.com/fibo

Fleurco warrants its SEKUR+ (Shatter Retention Technology) film to be free from defects in material and workmanship under normal use and maintenance for a period of years (5) years from the original date of purchase.

The above-mentioned products are collectively referred to as, the “Products” and individually referred to as, a “Product” for the purposes hereof.

If used in commercial units, Fleurco warrants the Products to be free from defects in material and workmanship under normal use and maintenance for a period of one (1) year from the original date of installation.

To the maximum extent permitted under applicable law, no other representation or warranty, expressed or implied, legal or otherwise is given or made by Fleurco regarding the Products.

It is the original purchaser’s obligation to verify that the Product is exempt from any defect prior to its installation.

For any claims under this limited warranty, the original purchaser is required to follow the warranty claim procedure provided online at www.fleurco.com/warranty

Acts Invalidating Limited Warranty

This limited warranty does not apply to:

1. Products purchased from unauthorized Fleurco distributors or resellers;
2. Products relocated after initial installation;
3. Products which are modified and/or combined with products manufactured or supplied by others, including but not limited to shading devices (eg tinting, security films, or glazings);
4. Products which have defects or damage which result from improper installation, negligence or accidents, or any act of God including those that take place underground including natural settlement of the structure;
5. Products which are damaged or deteriorated due to incorrect operating procedures and/or misuse and/or improper maintenance;
6. Products which have been installed contrary to Fleurco’s printed installation manual;
7. Products which have been subjected to alteration and/or modification;
8. Products which have been exposed to chemicals and/or abrasive products;
9. Stained Products resulting from hard water, ferrous water or salty water; and
10. Products used on structures for which it was not designed.

To avoid improper installation/maintenance and consequently prevent potential Product breakage or damage leading to personal injuries, property damage, death, or invalidation of the limited warranty set forth herein, Fleurco recommends that its products be installed by an experienced professional in bathroom products installation.

Products that fall outside of the limited warranty provided herein remain the sole responsibility of the original purchaser without any recourse against Fleurco.

Limited Warranty Performance

In the event of any defective Product covered under this limited warranty, Fleurco will only be obligated, at Fleurco’s sole option, to repair the defective part or unit of the Product or to furnish a new or rebuilt part or unit of the Product of equivalent value in exchange for the part or unit of the Product that is defective. All labour costs related to any replacement Products shall be at the cost of the original purchaser. Fleurco’s aggregate liability hereunder shall be limited to the lesser of the suggested manufacturer’s retail price of the Product at the moment of Purchase by the original purchaser and the actual purchase price paid for the Product by the original purchaser. Furthermore, Fleurco will not be responsible for the cost of repairs or replacement of installation materials such as tiles, marble, vanities, etc. and the labour costs related thereto.

To acquire further assistance and/or obtain warranty service, follow the instructions for the Limited Warranty Claim Form that are available online at www.fleurco.com/warranty. All limited warranty service requests must be accompanied by the original purchase receipt. Fleurco must receive the written notice within fifteen (15) days of the time the Product defect is discovered. Upon the acceptance of a warranty claim by Fleurco, Fleurco will advise the original purchaser of the corrective action, if any, that will be undertaken by Fleurco. If requested by Fleurco, the original purchaser must return any defective Product that Fleurco has agreed to replace in its original packaging (at the cost of the original purchaser).

In order for this limited warranty to be valid, the Product and its components must be accessible for on-site inspection by a representative appointed by Fleurco.

Disclaimer

To the maximum extent permitted under applicable law, Fleurco expressly disclaims and excludes any liability for consequential, special, or incidental damage nor for damage caused or resulting from fortuitous event, loss of time, loss of use, inconvenience, unnecessary expenses, labour, material or other costs with respect to the application of this limited warranty or with respect to the removal or replacement of a defective Product. Under no circumstances shall Fleurco or any of its representatives be held liable for corporeal/personal injuries to any person or damage to any property however arising. All warranties are limited to the applicable statute of limitations/prescription periods, but in no case will they extend beyond the time periods set forth herein. The remedies provided for herein shall be limited to repair or replacement of the Product provided by this limited warranty and is the exclusive remedy with respect to any loss or damage. **THERE ARE NO WARRANTIES, EXPRESS OR IMPLIED, WHICH EXTEND BEYOND THE DESCRIPTION SET FORTH HEREIN AND ANY IMPLIED WARRANTIES ARISING AT COMMON LAW OR BY STATUTE ARE EXPRESSLY DISCLAIMED BY FLEURCO.**

Fleurco reserves the right to amend this limited warranty without notice at any time. Such amendment will not impact the limited warranty terms and conditions effective at the time of the purchase of the Products concerned by the original purchaser.

In case any one or more of the terms and conditions contained in this limited warranty shall, for any reason, be held invalid, illegal or unenforceable in any respect, such invalidity, illegality or unenforceability shall not affect the other terms and conditions of the limited warranty, and this limited warranty, shall be construed as if such invalid, illegal or unenforceable provision had never been contained herein. If moreover, any one or more of the terms and conditions contained in this limited warranty shall for any reason be held to be excessively broad as to duration, geographical scope, activity or subject, it shall be construed by limiting and reducing it, as to be enforceable to the extent compatible with the applicable law as it shall then appear.

¹ Although highly unlikely, please note that due to the nature of the product, glass has an inherent possibility of breakage.



When you need
INFORMATION FAST!

FLEURCO™ @ YOUR FINGERTIPS

24 HOURS A DAY, 7 DAYS A WEEK

ALWAYS FIND UP TO DATE:

- | | |
|--------------|------------------------|
| ✓ Catalogues | ✓ Specs |
| ✓ Pricing | ✓ Installation Manuals |
| ✓ Quotes | ✓ New Items |

Plus, access FLEURCO's
CUSTOMER PORTAL

- Place orders
- Check inventory
- And much more!

www.fleurco.com

