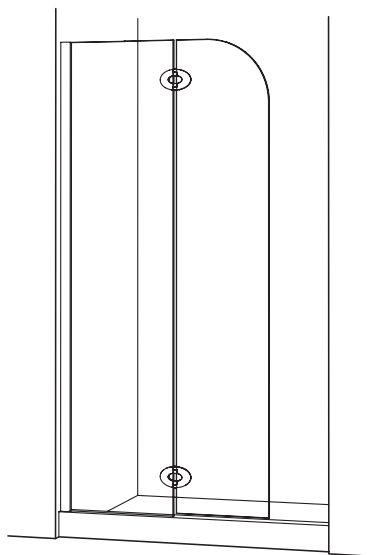


WALK-IN SHOWER SHIELDS



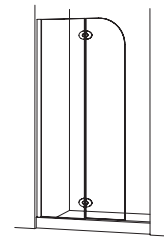
WALK-IN SHOWER PANELS



FLEURCO INC. **USA EAST** Tel: 856.778.0110 | Toll Free: 1.888.568.2121 | Fax: 1.888.854.1020
FLEURCO INC. **USA MIDWEST** Tel: 630.607.0847 | Toll Free: 1.888.263.3651 | Fax: 331.225.2549
FLEURCO INC. **USA WEST** Tel: 562.368.8800 | Toll Free: 1.877.413.2880 | Fax: 562.368.8812

FLEURCO INC. **CANADA** Tel: 1.514.326.2222 | Toll Free: 1.800.993.0033 | Fax: 1.514.326.2008 | www.fleurco.com

WALK-IN SHOWER SHIELDS



CODE SYSTEM AND PRODUCT OPTIONS 4-5

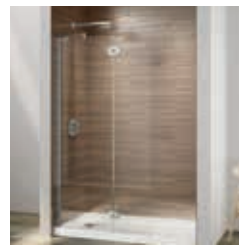
***MONACO SQUARE TOP** 6-7



Pivot shower shield with fixed panel
 Sizes: 24" or 33" fixed panel with 15" moveable panel
SELECT 24" fixed panel with 15" moveable panel



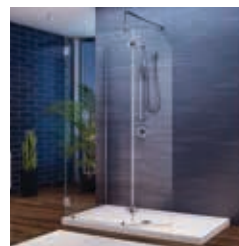
***MONACO ROUND TOP** 8-9



Pivot shower shield with fixed panel
 Sizes: 24" or 33" fixed panel with 15" moveable panel
SELECT 24" fixed panel with 15" moveable panel



***MONACO "V"** 10-11



Pivot shower shield with fixed panel and return panel
 Sizes: 23", 24", 31" or 33" fixed panel with 15" moveable panel



***SIENA** 12-13



Pivot shower shield with fixed panel
 Sizes: 25" fixed panel with 15" moveable panel



M Glass surface protection



See information page at the end of the section

Available finishes

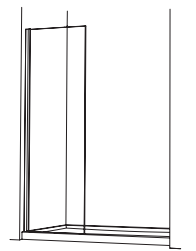
- Chrome
- Brushed Nickel
- Matte Black

Glass type

C Clear

*Without FleurcoSEKUR+ Safety Protection (S.R.T.)

WALK-IN SHOWER PANELS



VECTRA 14-15



Fixed shower panel
 Sizes: 29, 33, 39, 45



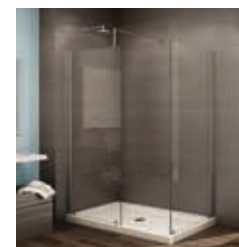
LATITUDE 17-19



Fixed shower panel
 Sizes: 28, 32, 38, 44



***PETRA** 20-21



Shower panel
 Sizes: 32, 38, 40, 45



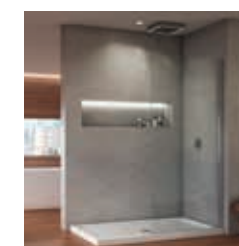
***STATION PLUS** 22-23



Fixed shower panel
 Sizes: 29, 33, 39, 45



***STATION** 24-25



Fixed shower panel
 Sizes: 30, 34



***SIENA SOLO** 26-27



Pivot shower panel
 Size: 34



M Glass surface protection



See information page at the end of the section

SEKUR+ Safety protection (S.R.T.)



See information on p. 16

Available finishes

- Chrome
- Brushed Nickel
- Matte Black

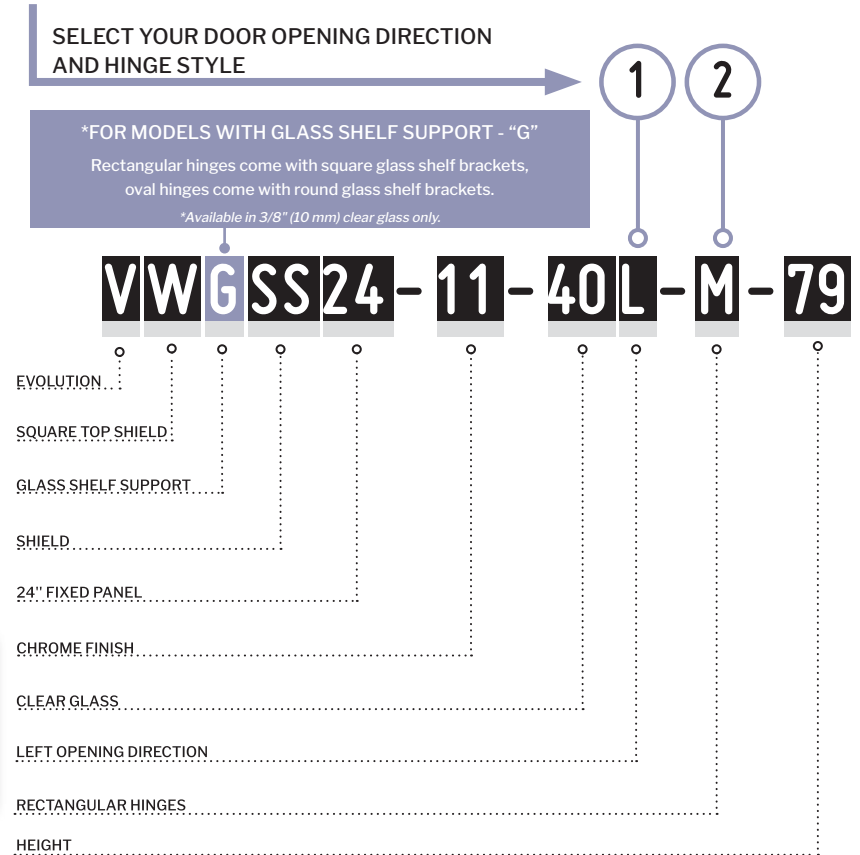
Glass type

C Clear

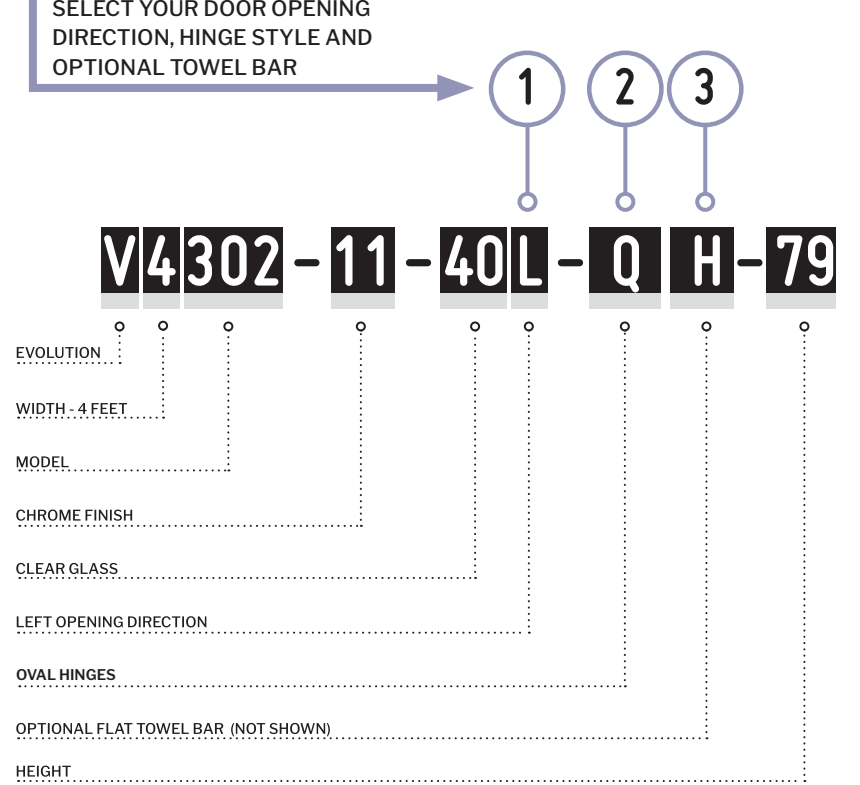
*Without FleurcoSEKUR+ Safety Protection (S.R.T.)

EXAMPLE OF CODE SYSTEM

MONACO SERIES



MONACO "V" SERIES

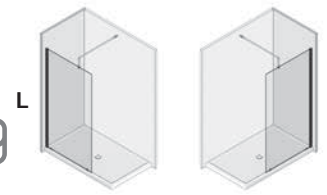


PRODUCT OPTIONS

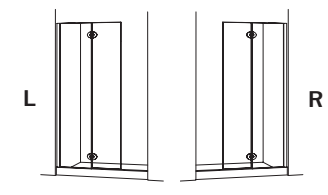
1 IDENTIFY OPENING DIRECTION THIS IS MANDATORY

VWXSS24-11-40L-M-79

FOR MODELS WITHOUT HINGES



FOR MODELS WITH HINGES



L (LEFT) or R (RIGHT) indicates the fixed panel location as viewed from the exterior.

L (LEFT) or R (RIGHT) indicates where the hinges are installed on the shield panel as viewed from the exterior.

OPENING DIRECTION

2 SELECT SOLID BRASS HINGE STYLE THIS IS MANDATORY

V4302-11-40L-MH-79

HINGE STYLE

M Rectangular

Q Oval



3 SELECT UV BONDED TOWEL BAR [SURCHARGE APPLIES]

AVAILABLE FOR CERTAIN MODELS ONLY. INSTALLATION POSITION VARIES FOR EACH MODEL. SEE INDIVIDUAL MODEL PAGES FOR POSITION.



V4302-25-40L-MH-79

OPTIONAL FLAT TOWEL BAR



V4302-11-40L-QY-79

OPTIONAL ROUND TOWEL BAR

Available in two finishes:
Chrome - Surcharge \$383
Brushed Nickel - Surcharge \$348

MONACO SQUARE TOP M

Glass surface protection
Microtek
 INCLUDED
 at no charge.

Shower shield with fixed panel without FleurcoSEKUR+ Safety Protection (S.R.T.)

3/8" (10 mm) Tempered clear glass • 79" Height
 (80 1/2" to top of "X" support bar, 86 3/16" to top of "V" support bar)

SELECT MONACO SQUARE

"X" SUPPORT BAR SYSTEM WITH RECTANGULAR (M) HINGES

79" H (80 1/2" to top of support bar)

MODEL	PRICE	FINISH	GLASS
VMSXS24-11-40-79	\$1,226	Chrome	CLEAR
VMSXS24-25-40-79	\$1,257	Brushed Nickel	CLEAR
VMSXS24-33-40-79	\$1,275	Matte Black	CLEAR

This unit is universal, left and right.

For suggested shower bases, visit www.fleurco.com

MONACO SQUARE "X" SUPPORT BAR SYSTEM

79" H (80 1/2" to top of support bar)

MODEL	PRICE	FINISH	GLASS
VWXSS24-11-40 ^① - ^② -79	\$2,229	Chrome	CLEAR
VWXSS24-25-40 _ _ -79	\$2,430	Brushed Nickel	CLEAR

For suggested shower bases, visit www.fleurco.com

MONACO SQUARE "G" GLASS SHELF SUPPORT*

79" H

MODEL	PRICE	FINISH	GLASS
VWGSS24-11-40 ^① - ^② -79	\$2,229	Chrome	CLEAR
VWGSS24-25-40 _ _ -79	\$2,430	Brushed Nickel	CLEAR

*Glass Shelves are available in 3/8" (10 mm) Clear Glass only.

For suggested shower bases, visit www.fleurco.com

MONACO SQUARE "V" SUPPORT BAR SYSTEM

79" H (86 3/16" to top of support bar)

MODEL	PRICE	FINISH	GLASS
VW4301-11-40 ^① - ^② -79	\$2,042	Chrome	CLEAR
VW4301-25-40 _ _ -79	\$2,235	Brushed Nickel	CLEAR
VW56301-11-40 ^① - ^② -79	\$2,100	Chrome	CLEAR
VW56301-25-40 _ _ -79	\$2,274	Brushed Nickel	CLEAR

For suggested shower bases, visit www.fleurco.com

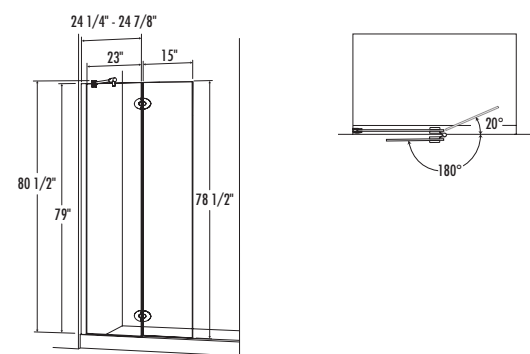
SELECT



NO OPTIONS

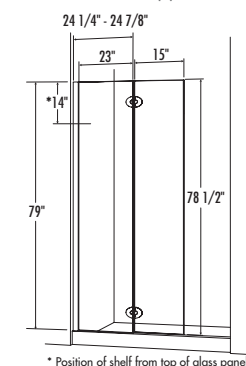
VWXSS24

Support Bar System



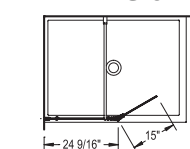
VWGSS24

Glass Shelf Support

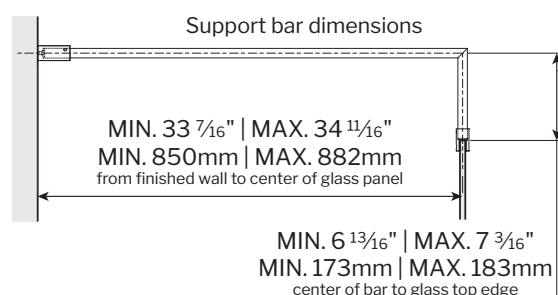
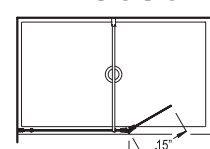


* Position of shelf from top of glass panel

VW4301



VW56301



US | 2022



MODEL VWXSS24-11-40L-M-79

Support Bar System - "X"



Glass Shelf Support - "G"



Support Bar System - "V"



MONACO SQUARE TOP

Walk-in shower shield with fixed panel

European style walk-in shower shield
 Available with support bar or glass shelf (excluding **SELECT**) support

2 glass-to-glass hinge choices (excluding **SELECT**)

3/8" (10mm) clear tempered glass

Shower shield height: 79" (80 1/2" to top of the "X" support bar and 86 3/16" to top of the "V" support bar)

Chrome, Brushed Nickel & Matte Black (**SELECT** model only) finishes

Custom sizes available

Microtek
 FLEURCO
 Glass surface protection

10
 year limited
 warranty

FLEURCO™ www.fleurco.com

MONACO ROUND TOP M

Shower shield with fixed panel without FleurcoSEKUR+ Safety Protection (S.R.T.)



3/8" (10 mm) Tempered clear glass • 79" Height
 (80 1/2" to top of "X" support bar, 86 3/16" to top of "V" support bar)

SELECT MONACO ROUND
"X" SUPPORT BAR SYSTEM WITH OVAL (Q) HINGES
 79" H (80 1/2" to top of support bar)

MODEL	PRICE	FINISH	GLASS
VQRXS24-11-40-79	\$1,226	Chrome	CLEAR
VQRXS24-25-40-79	\$1,257	Brushed Nickel	CLEAR
VQRXS24-33-40-79	\$1,275	Matte Black	CLEAR

SELECT



NO OPTIONS

This unit is universal, left and right.

For suggested shower bases, visit www.fleurco.com

MONACO ROUND "X" SUPPORT BAR SYSTEM
 79" H (80 1/2" to top of support bar)

MODEL	PRICE	FINISH	GLASS
VXSS24-11-40-①-②-79	\$2,229	Chrome	CLEAR
VXSS24-25-40-__-79	\$2,430	Brushed Nickel	CLEAR

For suggested shower bases, visit www.fleurco.com

MONACO ROUND "G" GLASS SHELF SUPPORT*
 79" H

MODEL	PRICE	FINISH	GLASS
VGSS24-11-40-①-②-79	\$2,229	Chrome	CLEAR
VGSS24-25-40-__-79	\$2,430	Brushed Nickel	CLEAR

*Glass Shelves are available in 3/8" (10 mm) Clear Glass only.

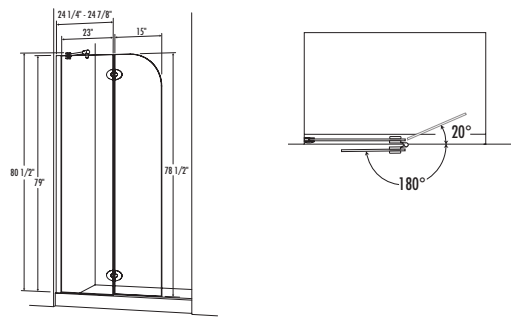
For suggested shower bases, visit www.fleurco.com

MONACO ROUND "V" SUPPORT BAR SYSTEM
 79" H (86 3/16" to top of support bar)

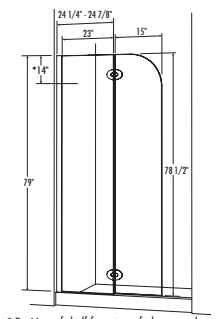
MODEL	PRICE	FINISH	GLASS
V4301-11-40-①-②-79	\$2,042	Chrome	CLEAR
V4301-25-40-__-79	\$2,235	Brushed Nickel	CLEAR
V56301-11-40-①-②-79	\$2,100	Chrome	CLEAR
V56301-25-40-__-79	\$2,274	Brushed Nickel	CLEAR

For suggested shower bases, visit www.fleurco.com

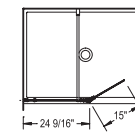
VXSS24
 Support Bar System



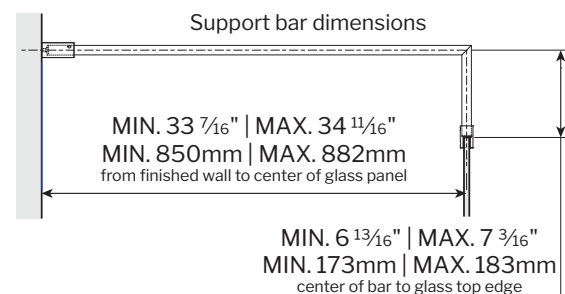
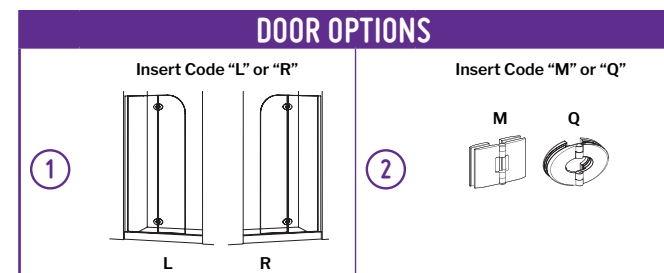
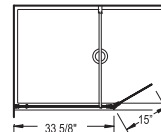
VGSS24
 Glass Shelf Support



V4301



V56301



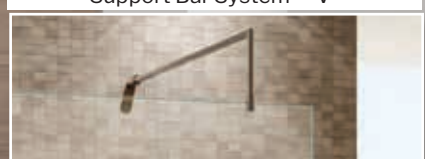
Support Bar System - "X"



Glass Shelf Support - "G"



Support Bar System - "V"



MODEL VQRXS24-11-40-79

MONACO ROUND TOP

Walk-in shower shield with fixed panel

European style walk-in shower shield
 Available with support bar or glass shelf (excluding **SELECT**) support
 2 glass-to-glass hinge choices (excluding **SELECT**)
 3/8" (10mm) clear tempered glass
 Shower shield height: 79" (80 1/2" to top of the "X" support bar and 86 3/16" to top of the "V" support bar)
 Chrome, Brushed Nickel & Matte Black (**SELECT** model only) finishes
 Custom sizes available



10
 year limited warranty

MONACO "V" SHOWER SHIELD M

Shower shield with fixed panel & return panel without FleurcoSEKUR+ Safety Protection (S.R.T.)

3/8" (10 mm) Tempered clear glass • 79" Height (86 3/16" to top of support bar)



2 SIDED

ROUND MODEL	SQUARE MODEL	DIMENSION	ROUND MODEL	SQUARE MODEL	PRICE	FINISH	GLASS
			V4302-11-40 ①-②③-79 V4302-25-40 _-_-79	VW4302-11-40 ①-②③-79 VW4302-25-40 _-_-79	\$2,751 \$2,942	Chrome Brushed Nickel	CLEAR CLEAR
Shown with optional towel bar							
			V56302-11-40 ①-②③-79 V56302-25-40 _-_-79	VW56302-11-40 ①-②③-79 VW56302-25-40 _-_-79	\$2,857 \$3,031	Chrome Brushed Nickel	CLEAR CLEAR
Shown with optional towel bar							
			V4304-11-40 ①-②③-79 V4304-25-40 _-_-79	VW4304-11-40 ①-②③-79 VW4304-25-40 _-_-79	\$2,988 \$3,205	Chrome Brushed Nickel	CLEAR CLEAR
			V56304-11-40 ①-②③-79 V56304-25-40 _-_-79	VW56304-11-40 ①-②③-79 VW56304-25-40 _-_-79	\$3,133 \$3,364	Chrome Brushed Nickel	CLEAR CLEAR

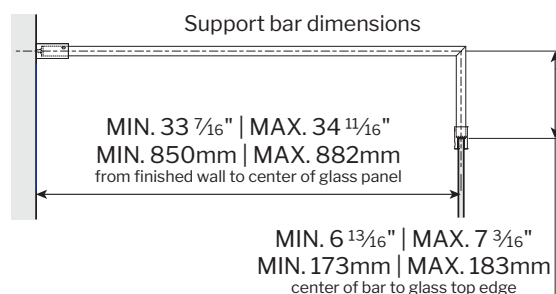
For suggested shower bases, visit www.fleurco.com

SOME MODELS ARE CUSTOMIZEABLE WITH THE "X" SUPPORT BAR AND A U-CHANNEL.
CONTACT CUSTOMER SERVICE FOR DETAILS.

ALL DRAINS SOLD SEPARATELY

DRAIN	NO-CALK™ SHOWER BASE DRAIN*	DRAINABS-11	DRAINABS-25	DRAINABS-33	DRAINPVC-11	DRAINPVC-25	DRAINPVC-33
		ABS No-Calk 2" drain	ABS No-Calk 2" drain	ABS No-Calk 2" drain	PVC No-Calk 2" drain	PVC No-Calk 2" drain	PVC No-Calk 2" drain
		\$47	\$62	\$89	\$47	\$62	\$68
		Chrome	Brushed Nickel	Matte Black	Chrome	Brushed Nickel	Matte Black

*Please check local codes to ensure appropriate drain specifications
For AU (Aurora) bases, please see specialty section in the base booklet



DOOR OPTIONS

Insert Code "L" or "R"

①

Insert Code "M" or "Q"

②

Insert Code "H" (flat) or "Y" (round) to select OPTIONAL towel bar

③ Towel bar installs onto a return panel

Available in two finishes:
Chrome - Surcharge \$383
Brushed Nickel - Surcharge \$348



MODEL V56304-11-40L-Q-79

MONACO "V" SHOWER SHIELD

Walk-in shower shield with fixed panel & return panel

European style walk-in shower shield
2 glass-to-glass hinge choices
3/8" (10mm) clear tempered glass
Shower shield height: 79" (86 3/16" to top of the support bar)
Chrome & Brushed Nickel finishes
Custom sizes available



10 year limited warranty

SIENA SHOWER SHIELD M

Glass surface protection
Microtek
INCLUDED
at no charge.

Pivot shower shield with fixed panel without FleurcoSEKUR+ Safety Protection (S.R.T.)

1/4" (6 mm) Tempered clear glass • 75" Height (76 1/2" to top of support bar)

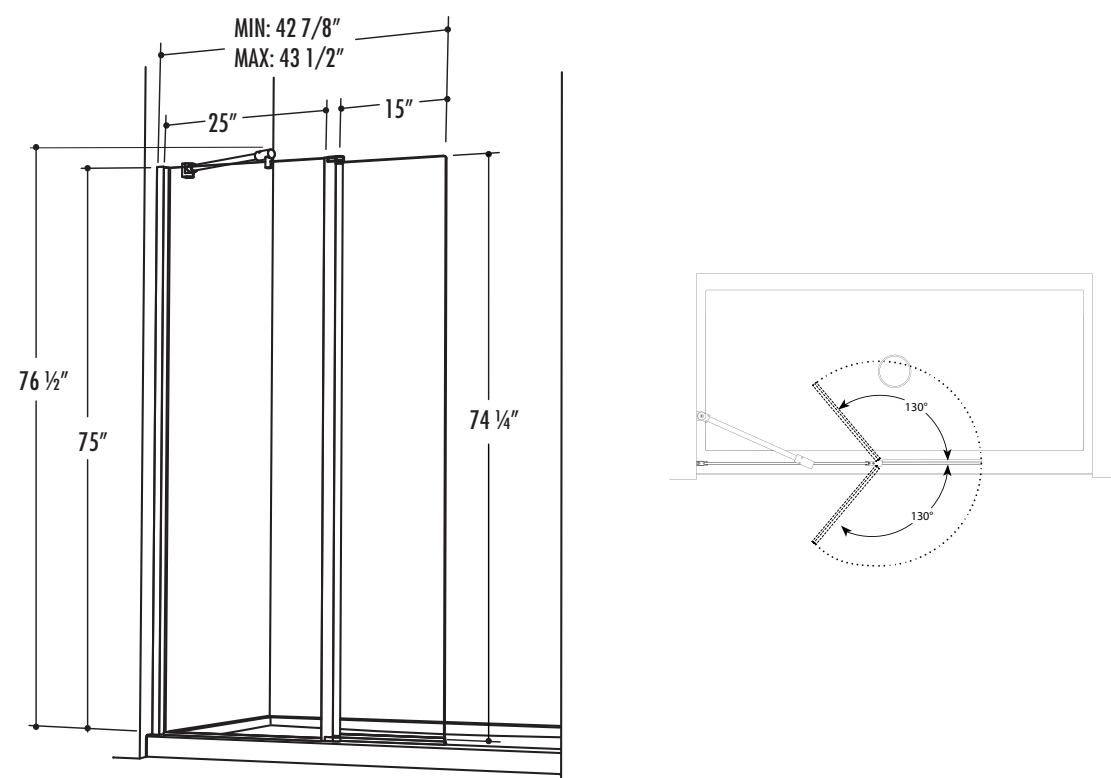
SHOWER PANEL

Fixed panel 25" W • Moveable panel 15" W x 75" H (76 1/2" to top of support bar)

MODEL	PRICE	FINISH	GLASS
ESS24-11-40	\$1,014	Chrome	CLEAR
ESS24-25-40	\$1,043	Brushed Nickel	CLEAR
ESS24-33-40	\$1,074	Matte Black	CLEAR

Fits any base 48" and larger.

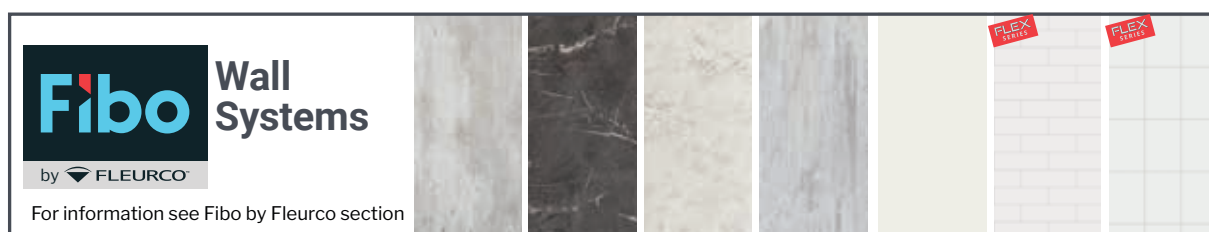
For suggested shower bases, visit www.fleurco.com



ALL DRAINS SOLD SEPARATELY

DRAIN	NO-CALK™ SHOWER BASE DRAIN*	MODEL	Material	Price	Finish
DRAINABS-11	ABS No-Calk 2" drain	\$47	Chrome		
DRAINABS-25	ABS No-Calk 2" drain	\$62	Brushed Nickel		
DRAINABS-33	ABS No-Calk 2" drain	\$89	Matte Black		
DRAINPVC-11	PVC No-Calk 2" drain	\$47	Chrome		
DRAINPVC-25	PVC No-Calk 2" drain	\$62	Brushed Nickel		
DRAINPVC-33	PVC No-Calk 2" drain	\$68	Matte Black		

*Please check local codes to ensure appropriate drain specifications
For AU (Aurora) bases, please see specialty section in the base booklet



MODEL ESS24-11-40

SIENA WALK-IN SHOWER SHIELD

Pivot shower shield with fixed panel

- European water deflection system
- 130° outward and 130° inward opening
- Reversible left or right side installation
- 1/4" (6mm) clear tempered glass
- Shower shield height: 75" (76 1/2" to top of support bar)
- Chrome, Brushed Nickel & Matte Black finishes

Microtek
FLEURCO
Glass surface protection

10
year limited
warranty

VECTRA SHOWER PANEL M

Fixed panel

3/8" (10 mm) Tempered clear glass
79" Height (80" to top of support bar)



SHOWER PANEL 29

29 5/8" W x 79" H (80" to top of support bar)

MODEL	PRICE	FINISH	GLASS
VTR29-33-40 ①	\$1,550	Matte Black	CLEAR

For suggested shower bases, visit www.fleurco.com.

SHOWER PANEL 33

33" W x 79" H (80" to top of support bar)

MODEL	PRICE	FINISH	GLASS
VTR33-33-40 ①	\$1,615	Matte Black	CLEAR

For suggested shower bases, visit www.fleurco.com.

SHOWER PANEL 39

39" W x 79" H (80" to top of support bar)

MODEL	PRICE	FINISH	GLASS
VTR39-33-40 ①	\$1,653	Matte Black	CLEAR

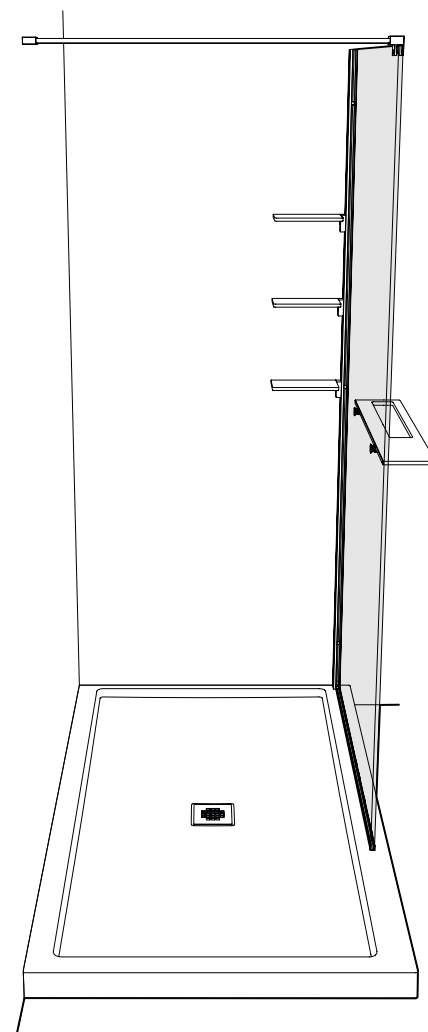
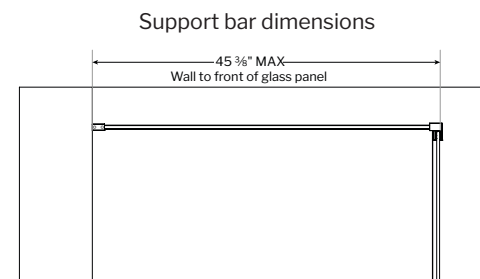
For suggested shower bases, visit www.fleurco.com.

SHOWER PANEL 45

45 5/8" W x 79" H (80" to top of support bar)

MODEL	PRICE	FINISH	GLASS
VTR45-33-40 ①	\$1,731	Matte Black	CLEAR

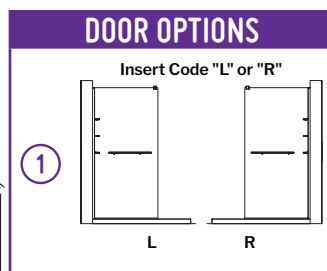
For suggested shower bases, visit www.fleurco.com.



ALL DRAINS SOLD SEPARATELY

DRAIN	NO-CALK™ SHOWER BASE DRAIN*	MODEL	PRICE	FINISH
		DRAINABS-11	\$47	Chrome
		DRAINABS-25	\$62	Brushed Nickel
		DRAINABS-33	\$89	Matte Black
		DRAINPVC-11	\$47	Chrome
		DRAINPVC-25	\$62	Brushed Nickel
		DRAINPVC-33	\$68	Matte Black

*Please check local codes to ensure appropriate drain specifications
 For AU (Aurora) bases, please see specialty section in the base booklet



MODEL VTR39-33-40L

VECTRA WALK-IN SHOWER PANEL

Fixed shower panel with accessories

- 3 metal shelves integrated to the wall jamb
- Towel bar and tray integrated in a single accessory
- 3/8" (10mm) clear tempered glass
- Shower panel height: 79" (80" to top of support bar)
- Matte Black finish



SAFETY PROTECTION (S.R.T.)
 *5 year limited warranty



10
 year limited warranty



WHAT IS FLEURCOSEKUR⁺ SAFETY PROTECTION (S.R.T.)?

FLEURCOSEKUR⁺ SAFETY PROTECTION (S.R.T.) is a transparent film bonded directly onto the glass panel by means of an adhesive to improve safety by retaining the pieces together in the event of glass breakage.

WHAT ARE THE BENEFITS OF FLEURCOSEKUR⁺ SAFETY PROTECTION (S.R.T.)?

FLEURCOSEKUR⁺ SAFETY PROTECTION (S.R.T.) film provides an added layer of security for you and your family. In the event of an accident, FLEURCOSEKUR⁺ SAFETY PROTECTION (S.R.T.) prevents the tempered glass door from shattering into thousands of pieces which could cause damage.

HOW IS FLEURCOSEKUR⁺ SAFETY PROTECTION (S.R.T.) APPLIED?

Application is performed by a specialized machine.

The film is always installed on the exterior side of the panels as to not affect the Microtek® coating on the interior.

HOW DURABLE IS FLEURCOSEKUR⁺ SAFETY PROTECTION (S.R.T.)?

FLEURCOSEKUR⁺ SAFETY PROTECTION (S.R.T.) is very durable. It has been tested for long-term usage against chemicals and abrasives and meets the required standards.

HOW DO I CLEAN GLASS TREATED WITH FLEURCOSEKUR⁺ SAFETY PROTECTION (S.R.T.)?

There is no special requirement for cleaning a FLEURCOSEKUR⁺ SAFETY PROTECTION (S.R.T.) treated shower door. Cleaning with a damp cloth using a mixture of vinegar/mild soap with water is recommended.



LATITUDE M

Fixed panel

5/16" (8 mm) Tempered clear glass
79" Height (79 3/4" to top of support bar)



SINGLE THRESHOLD

DIMENSION	MODEL	PRICE	FINISH	GLASS
	LAV28-33-43-79	\$804	Matte Black	CLEAR
	LAV32-33-43-79	\$853	Matte Black	CLEAR
	LAV38-33-43-79	\$899	Matte Black	CLEAR
	LAV44-33-43-79	\$980	Matte Black	CLEAR

For suggested shower bases, visit www.fleurco.com

LATITUDE M

Fixed panel (cont'd)

5/16" (8 mm) Tempered clear glass
79" Height (79 3/4" to top of support bar)



2 SIDED

DIMENSION	MODEL	PRICE	FINISH	GLASS
	LAV3228-33-43-79	\$1,656	Matte Black	CLEAR
	LAV3232-33-43-79	\$1,705	Matte Black	CLEAR
	LAV4432-33-43-79	\$1,832	Matte Black	CLEAR

For suggested shower bases, visit www.fleurco.com

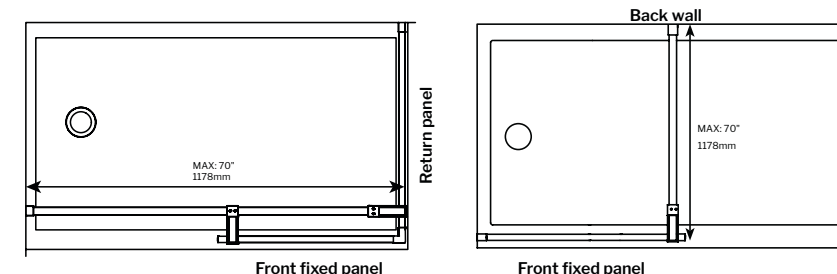
More size options available. See website for more information.

CORNER

DIMENSION	MODEL	PRICE	FINISH	GLASS
	LAV3832C-33-43-79	\$1,754	Matte Black	CLEAR
	LAV4432C-33-43-79	\$1,832	Matte Black	CLEAR

For suggested shower bases, visit www.fleurco.com

More size options available. See website for more information.



Support bar can be installed from wall to return panel, or from back wall to front fixed panel, up to a maximum of 70" length. For installation manual, see www.fleurco.com

WALK-IN SHOWER PANELS

LATITUDE



LATITUDE WALK-IN SHOWER PANEL
Fixed panel

Silk screen design - high style, low maintenance
Available in single panel, 2 sided & corner
5/16" (8mm) clear tempered glass
Shower panel height: 79" (79 3/4" to top of support bar)
Matte Black finish



10 year limited warranty

PETRA "V" SHOWER PANEL M

Microtek FLEURCO
Glass surface protection INCLUDED at no charge.

Fixed panel & return panel without FleurcoSEKUR+ Safety Protection (S.R.T.)

3/8" (10 mm) Tempered clear glass • 79" Height (86 3/16" to top of support bar)

SINGLE THRESHOLD

DIMENSION	MODEL	PRICE	FINISH	GLASS
	V56309/1-11-40 ①-79	\$1,264	Chrome	CLEAR
	V56309/1-25-40 _-79	\$1,342	Brushed Nickel	CLEAR
	V56310-11-40 ①-79	\$1,323	Chrome	CLEAR
	V56310-25-40 _-79	\$1,395	Brushed Nickel	CLEAR
	V56317-11-40 ①-79	\$1,294	Chrome	CLEAR
	V56317-25-40 _-79	\$1,359	Brushed Nickel	CLEAR
	V56318-11-40 ①-79	\$1,389	Chrome	CLEAR
	V56318-25-40 _-79	\$1,451	Brushed Nickel	CLEAR

2 SIDED

DIMENSION	MODEL	PRICE	FINISH	GLASS
<p>Shown with optional towel bar</p>	V56312-11-40 ①-③-79	\$2,073	Chrome	CLEAR
	V56312-25-40 _-_-79	\$2,151	Brushed Nickel	CLEAR
<p>Shown with optional towel bar</p>	V6310-11-40 ①-③-79	\$2,160	Chrome	CLEAR
	V6310-25-40 _-_-79	\$2,235	Brushed Nickel	CLEAR

For suggested shower bases, visit www.fleurco.com

SOME MODELS ARE CUSTOMIZEABLE WITH THE "X" SUPPORT BAR AND A U-CHANNEL.

CONTACT CUSTOMER SERVICE FOR DETAILS.

DOOR OPTIONS

Insert Code "L" or "R"

①

L

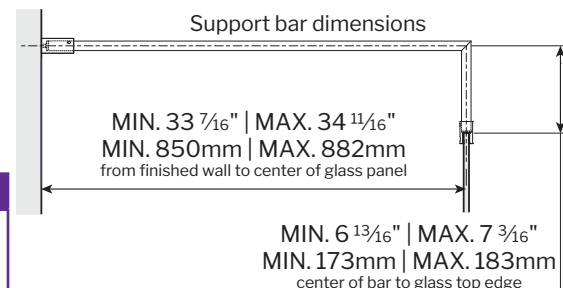
②

R

Insert Code "H" (flat) or "Y" (round) to select OPTIONAL towel bar

Towel bar installs onto a return panel

③ Available in two finishes:
Chrome - Surcharge \$383
Brushed Nickel- Surcharge \$348



MODEL V56312-11-40L-79

PETRA "V" SHOWER PANEL

Fixed panel & return panel

European style walk-in shower panel
3/8" (10mm) clear tempered glass
Shower panel height: 79" (86 3/16" to top of the support bar)
Chrome & Brushed Nickel finishes
Custom sizes available

Microtek FLEURCO
Glass surface protection

10
year limited
warranty

STATION PLUS M

Glass surface protection
Microtek® INCLUDED
 at no charge.

Fixed panel without FleurcoSEKUR+ Safety Protection (S.R.T.)

3/8" (10 mm) Tempered clear glass • 79" Height (80 1/2" to top of support bar)

STATION PANEL 29

29 3/8" to 29 7/8" W x 79" H (80 1/2" to top of support bar)

MODEL	PRICE	FINISH	GLASS
VLS29-11-40-79	\$626	Chrome	CLEAR
VLS29-25-40-79	\$635	Brushed Nickel	CLEAR
VLS29-33-40-79	\$643	Matte Black	CLEAR

For suggested shower bases, visit www.fleurco.com

STATION PANEL 33

32 3/4" to 33 1/4" W x 79" H (80 1/2" to top of support bar)

MODEL	PRICE	FINISH	GLASS
VLS33-11-40-79	\$665	Chrome	CLEAR
VLS33-25-40-79	\$671	Brushed Nickel	CLEAR
VLS33-33-40-79	\$678	Matte Black	CLEAR

For suggested shower bases, visit www.fleurco.com

STATION PANEL 39

38 3/4" to 39 1/4" W x 79" H (80 1/2" to top of support bar)

MODEL	PRICE	FINISH	GLASS
VLS39-11-40-79	\$712	Chrome	CLEAR
VLS39-25-40-79	\$720	Brushed Nickel	CLEAR
VLS39-33-40-79	\$727	Matte Black	CLEAR

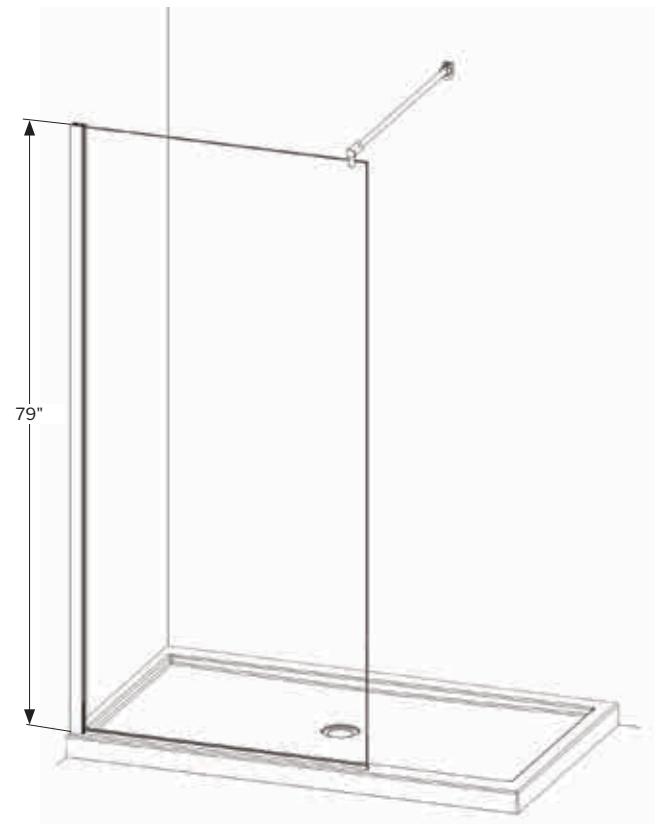
For suggested shower bases, visit www.fleurco.com

STATION PANEL 45

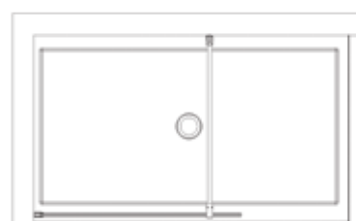
45 3/8" to 45 7/8" W x 79" H (80 1/2" to top of support bar)

MODEL	PRICE	FINISH	GLASS
VLS45-11-40-79	\$758	Chrome	CLEAR
VLS45-25-40-79	\$767	Brushed Nickel	CLEAR
VLS45-33-40-79	\$775	Matte Black	CLEAR

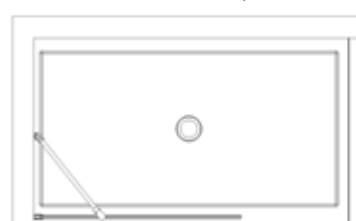
For suggested shower bases, visit www.fleurco.com



Support bar installation from back wall to fixed panel



Support bar installation from side wall to fixed panel



MODEL VLS39-11-40-79

Fibo Wall Systems
 by FLEURCO
 For information see Fibo by Fleurco section

ALL DRAINS SOLD SEPARATELY

DRAIN NO-CALK™ SHOWER BASE DRAIN*	MODEL	DESCRIPTION	PRICE	FINISH
	DRAINABS-11	ABS No-Calk 2" drain	\$47	Chrome
	DRAINABS-25	ABS No-Calk 2" drain	\$62	Brushed Nickel
	DRAINABS-33	ABS No-Calk 2" drain	\$89	Matte Black
	DRAINPVC-11	PVC No-Calk 2" drain	\$47	Chrome
	DRAINPVC-25	PVC No-Calk 2" drain	\$62	Brushed Nickel
	DRAINPVC-33	PVC No-Calk 2" drain	\$68	Matte Black

*Please check local codes to ensure appropriate drain specifications
 For AU (Aurora) bases, please see specialty section in the base booklet

STATION PLUS WALK-IN SHOWER

Fixed panel

- Fixed shower panel
- Left or right configuration
- PV support bar (maximum 33" from back wall)
- Dual installation of support bar
- 3/8" (10mm) clear tempered glass
- Shower panel height: 79" (80 1/2" to top of support bar)
- Chrome, Brushed Nickel & Matte Black finishes

Microtek®
 FLEURCO
 Glass surface protection

10
 year limited
 warranty

STATION SHOWER PANEL M

Fixed panel without FleurcoSEKUR+ Safety Protection (S.R.T.)



3/8" (10 mm) Tempered clear glass • 79" Height

SHOWER PANEL 30

29 3/4" to 30 3/8" W x 79" H

MODEL	PRICE	FINISH	GLASS
VSXS30-11-40-79	\$586	Chrome	CLEAR
VSXS30-25-40-79	\$602	Brushed Nickel	CLEAR
VSXS30-33-40-79	\$615	Matte Black	CLEAR

For suggested shower bases, visit www.fleurco.com

SHOWER PANEL 34

33 3/4" to 34 3/8" W x 79" H

MODEL	PRICE	FINISH	GLASS
VSXS34-11-40-79	\$644	Chrome	CLEAR
VSXS34-25-40-79	\$658	Brushed Nickel	CLEAR
VSXS34-33-40-79	\$672	Matte Black	CLEAR

For suggested shower bases, visit www.fleurco.com



MODEL VSXS30-11-40-79

ALL DRAINS SOLD SEPARATELY

DRAIN NO-CALK™ SHOWER BASE DRAIN*	MODEL	Material	Price	Finish
	DRAINABS-11	ABS No-Calk 2" drain	\$47	Chrome
	DRAINABS-25	ABS No-Calk 2" drain	\$62	Brushed Nickel
	DRAINABS-33	ABS No-Calk 2" drain	\$89	Matte Black
	DRAINPVC-11	PVC No-Calk 2" drain	\$47	Chrome
	DRAINPVC-25	PVC No-Calk 2" drain	\$62	Brushed Nickel
	DRAINPVC-33	PVC No-Calk 2" drain	\$68	Matte Black

*Please check local codes to ensure appropriate drain specifications
For AU (Aurora) bases, please see specialty section in the base booklet

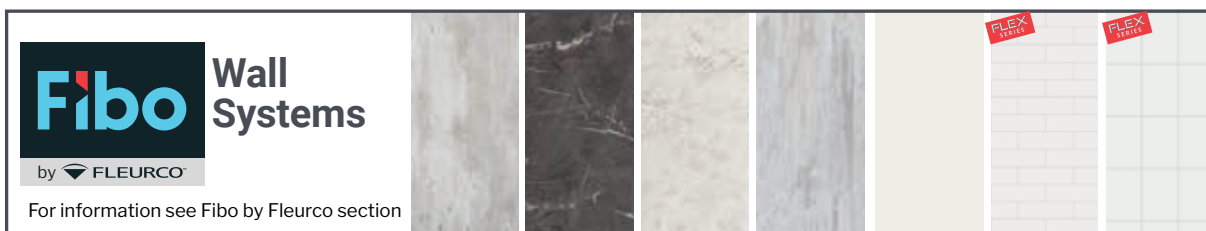
STATION WALK-IN SHOWER PANEL

Fixed panel

Fixed shower panel
3/8" (10mm) clear tempered glass
Shower panel height: 79"
Chrome, Brushed Nickel & Matte Black finishes



10
year limited
warranty



For information see Fibo by Fleurco section

SIENA SOLO SHOWER PANEL M

Pivot shower panel without FleurcoSEKUR+ Safety Protection (S.R.T.)



1/4" (6 mm) Tempered clear glass • 75" Height

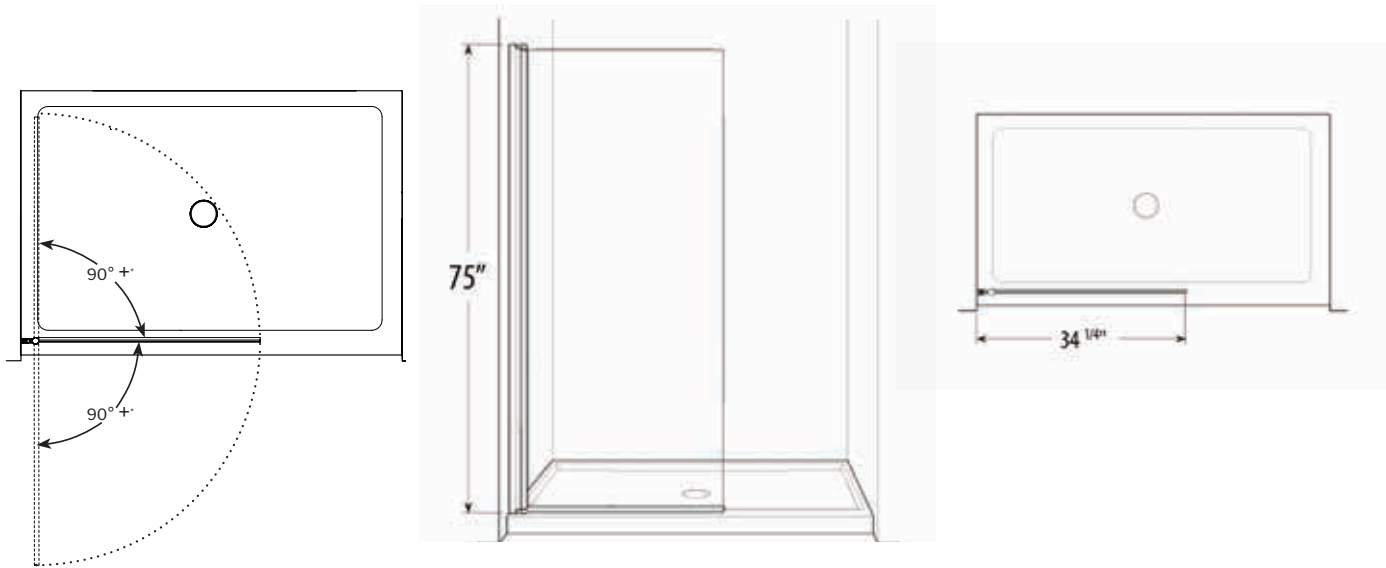
PIVOT SHOWER PANEL 34

Panel 34 1/4" W x 75" H

MODEL	PRICE	FINISH	GLASS
EST34-11-40	\$921	Chrome	CLEAR
EST34-25-40	\$950	Brushed Nickel	CLEAR
EST34-33-40	\$980	Matte Black	CLEAR

Fits any base 48" and larger.

For suggested shower bases, visit www.fleurco.com



*Panel can go past 90° but may come in contact with wall



MODEL EST34-33-40

ALL DRAINS SOLD SEPARATELY

DRAIN	NO-CALK™ SHOWER BASE DRAIN*	MODEL	Material	Price	Finish
		DRAINABS-11	ABS No-Calk 2" drain	\$47	Chrome
		DRAINABS-25	ABS No-Calk 2" drain	\$62	Brushed Nickel
		DRAINABS-33	ABS No-Calk 2" drain	\$89	Matte Black
		DRAINPVC-11	PVC No-Calk 2" drain	\$47	Chrome
		DRAINPVC-25	PVC No-Calk 2" drain	\$62	Brushed Nickel
		DRAINPVC-33	PVC No-Calk 2" drain	\$68	Matte Black

*Please check local codes to ensure appropriate drain specifications
For AU (Aurora) bases, please see specialty section in the base booklet

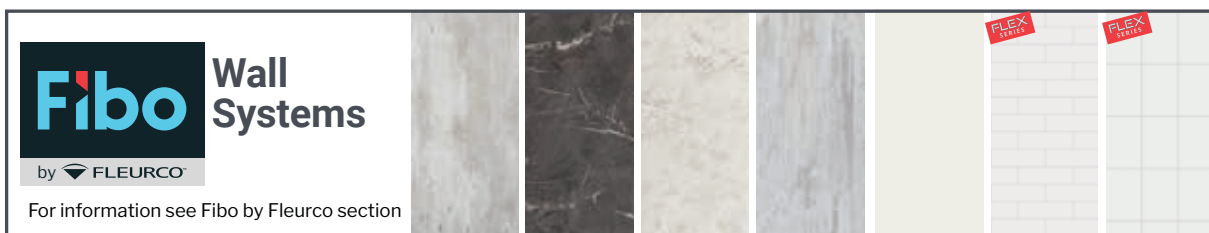
SIENA SOLO, WALK-IN SHOWER PANEL

Pivot shower panel

- Pivot glass shower panel
- 90° outward and 90° inward opening
- Reversible left or right side installation
- 1/4" (6mm) clear tempered glass
- Shower panel height: 75"
- Chrome, Brushed Nickel & Matte Black finishes



10
year limited
warranty



Fibo Wall Systems
by FLEURCO









For information see Fibo by Fleurco section

YOUR GLASS PROTECTED WITH MICROTEK®

- Resists staining from hard water deposits • Is easier to clean
- Does not support the growth of bacteria
- Eliminates the need for harsh and abrasive cleaning products
- Saves time and effort • Stays cleaner longer
- Creates a more hygienic environment

MAINTENANCE

A soft cloth is all you need to clean your protected glass. For best results, squeegee dry after each use. The only solution Fleurco recommends using is 1 part vinegar and 4 parts water.

 MICROTEK GLASS CLEANING						
Type of Cleaning	Step 1	Step 2	Step 3	Step 4	Step 5	Recommended Frequency
After Use	Spray down glass with hot water. 	Dry with squeegee. 	N/A	N/A	N/A	Immediately after showering.
Regular Maintenance	Water down the panels then clean with mild, non-abrasive soap on a soft sponge. 	Rinse off with clean water. 	Spray with a solution of 1 part vinegar + 4 parts water. 	Rinse off with clean water. 	Dry with squeegee. 	Weekly.

MICROTEK IS EXPECTED TO PERFORM FOR UP TO

10 YEARS

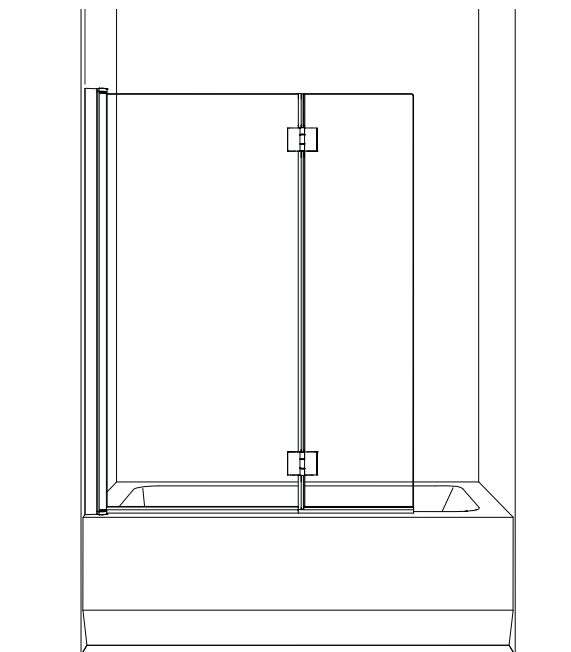
PRECAUTIONS

- Avoid using abrasive cleaners.
- Hydrofluoric and phosphoric acid can damage glass surface and should not be used.
- Do not use abrasive scouring powders or pads, highly acidic/alkaline cleaners, brushes, razor blades or other sharp objects which may scratch or harm the glass surface.

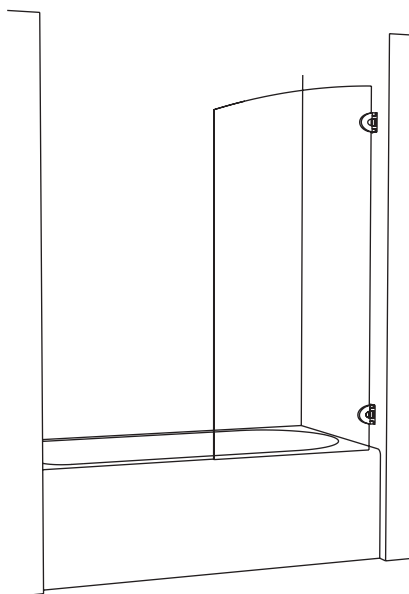
WARRANTY

Provided the glass is maintained according to published after-care instructions and without the use of abrasive cleaning methods or highly alkaline products, FLEURCO warrants that Microtek will work for up to ten (10) years from the date of application.

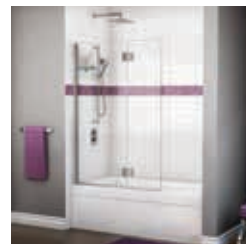
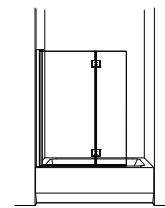
WALK-IN TUB SHIELDS



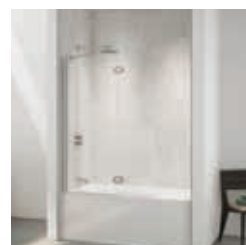
WALK-IN TUB PANELS



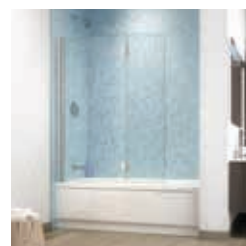
WALK-IN TUB SHIELDS



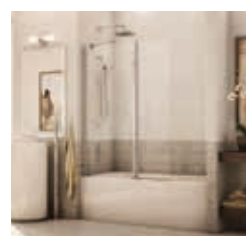
***MONACO SQUARE TOP** 4-5
 Pivot tub shield with fixed panel
 Sizes: 24" fixed panel with 15" moveable panel
 SELECT 24" fixed panel with 15" moveable panel



***MONACO ROUND TOP** 6-7
 Pivot tub shield with fixed panel
 Sizes: 24" fixed panel with 15" moveable panel
 SELECT 24" fixed panel with 15" moveable panel



***SIENA DUO** 8-9
 Bi-fold pivot tub shield
 Sizes: 27" fixed panel with 15" moveable panel



***SIENA** 10-11
 Pivot tub shield with fixed panel
 Sizes: 25" fixed panel with 15" moveable panel



M Glass surface protection



See information page at the end of the section

*Without FleurcoSEKUR+ Safety Protection (S.R.T.)

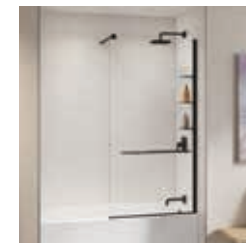
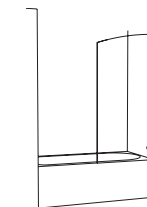
Available finishes

- Chrome
- Brushed Nickel
- Matte Black

Glass type

- Clear

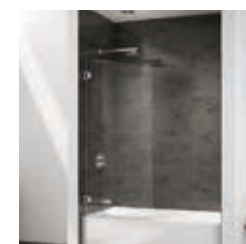
WALK-IN TUB PANELS



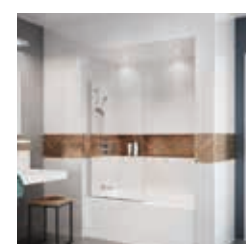
VECTRA 12-13
 Fixed tub panel
 Size: 33



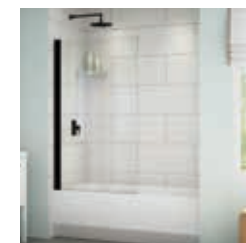
LATITUDE 14-15
 Fixed tub panel
 Sizes: 28, 32



***SOLO** 16-17
 Pivot tub panel
 Size: 29
 SELECT 29



***STATION** 18-19
 Fixed tub panel
 Sizes: 30, 34



***SIENA SOLO** 20-21
 Pivot tub panel
 Size: 34



M Glass surface protection



See information pages at the end of the section

SEKUR+ Safety protection (S.R.T.)



*Without FleurcoSEKUR+ Safety Protection (S.R.T.)

Available finishes

- Chrome
- Brushed Nickel
- Matte Black

Glass type

- Clear

MONACO SQUARE TOP TUB SHIELD M

Glass surface protection
Microtek
 INCLUDED
 at no charge.

Pivot tub shield with fixed panel without FleurcoSEKUR+ Safety Protection (S.R.T.)

3/8" (10 mm) Tempered clear glass • 58" Height (59 1/2" to top of "X" support bar)

SELECT MONACO SQUARE

SUPPORT BAR SYSTEM WITH RECTANGULAR (M) HINGES

58" H (59 1/2" to top of support bar)

MODEL	PRICE	FINISH	GLASS
VMSXT24-11-40	\$1,156	Chrome	CLEAR
VMSXT24-25-40	\$1,189	Brushed Nickel	CLEAR
VMSXT24-33-40	\$1,205	Matte Black	CLEAR

This unit is universal, left and right.

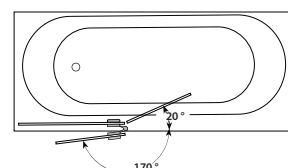
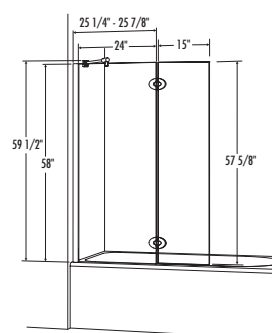
SELECT



NO OPTIONS

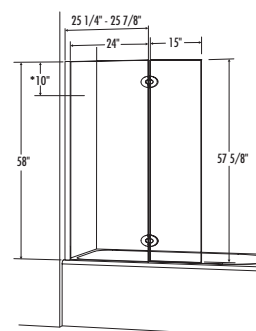
VWXSH24

Support Bar System



VWGS24

Glass Shelf Support



* Position of shelf from top of glass panel

MONACO SQUARE "X" SUPPORT BAR SYSTEM

58" H (59 1/2" to top of support bar)

MODEL	PRICE	FINISH	GLASS
VWXSH24-11-40 ① - ②	\$2,112	Chrome	CLEAR
VWXSH24-25-40 _ - _	\$2,347	Brushed Nickel	CLEAR

MONACO SQUARE "G" GLASS SHELF SUPPORT*

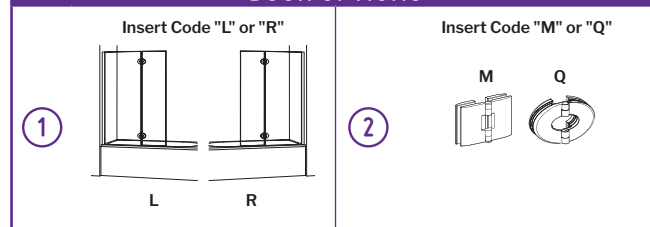
58" H

MODEL	PRICE	FINISH	GLASS
VWGS24-11-40 ① - ②	\$2,112	Chrome	CLEAR
VWGS24-25-40 _ - _	\$2,347	Brushed Nickel	CLEAR

*Glass Shelves are available in 3/8" (10 mm) Clear Glass only

See page 18 for return panel option.

DOOR OPTIONS



US | 2022



Support Bar System - "X"

Glass Shelf Support - "G"

MODEL VWGS24-11-40L-M

MONACO SQUARE TOP

Walk-in pivot tub shield with fixed panel

Square top shield with fixed panel
 170° outward and 20° inward opening
 Reversible left or right side installation
 2 glass-to-glass hinge choices (excluding **SELECT**)
 3/8" (10mm) clear tempered glass
 Tub shield height: 58" (59 1/2" to top of support bar)
 Chrome, Brushed Nickel & Matte Black (**SELECT** model only) finishes

Microtek
 FLEURCO
 Glass surface protection

10
 year limited
 warranty

FLEURCO™ www.fleurco.com

MONACO ROUND TOP TUB SHIELD M

Glass surface protection
Microtek
 INCLUDED
 at no charge.

Pivot tub shield with fixed panel without FleurcoSEKUR+ Safety Protection (S.R.T.)

3/8" (10 mm) Tempered clear glass • 58" Height (59 1/2" to top of "X" support bar)

1/4" (6 mm) Tempered clear glass • 58" Height (59 1/2" to top of "X" support bar)

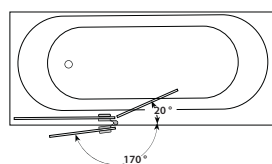
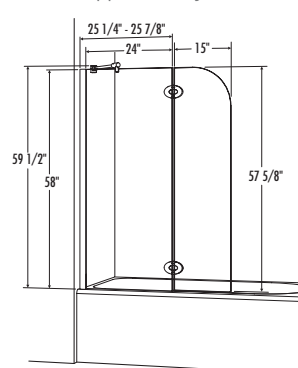
SELECT



NO OPTIONS

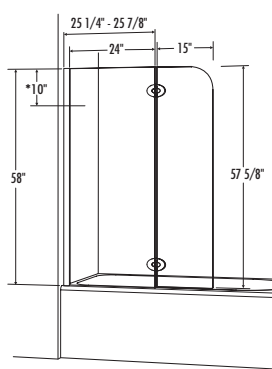
VXSH24

Support Bar System



VGSH24

Glass Shelf Support



* Position of shelf from top of glass panel

SELECT MONACO ROUND

SUPPORT BAR SYSTEM WITH OVAL (Q) HINGES

58" H (59 1/2" to top of support bar)

MODEL	PRICE	FINISH	GLASS
3/8" (10 mm) clear tempered glass			
VQRXT24-11-40	\$1,156	Chrome	CLEAR
VQRXT24-25-40	\$1,189	Brushed Nickel	CLEAR
VQRXT24-33-40	\$1,205	Matte Black	CLEAR

This unit is universal, left and right.

MONACO ROUND "X" SUPPORT BAR SYSTEM

58" H (59 1/2" to top of support bar)

MODEL	PRICE	FINISH	GLASS
3/8" (10 mm) clear tempered glass			
VXSH24-11-40 ① - ②	\$2,112	Chrome	CLEAR
VXSH24-25-40 _ - _	\$2,347	Brushed Nickel	CLEAR

MONACO ROUND "X" SUPPORT BAR SYSTEM

58" H (59 1/2" to top of support bar)

MODEL	PRICE	FINISH	GLASS
1/4" (6 mm) clear tempered glass			
VSH24-11-40 ① - ②	\$1,518	Chrome	CLEAR
VSH24-25-40 _ - _	\$1,756	Brushed Nickel	CLEAR

The above models are only available with the support bar system

MONACO ROUND "G" GLASS SHELF SUPPORT*

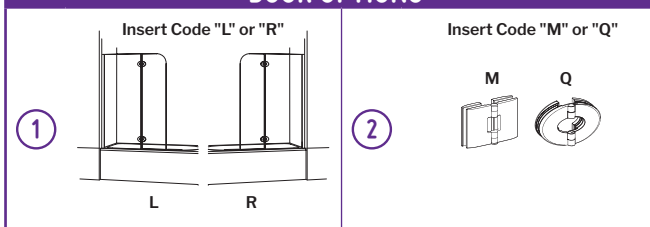
58" H

MODEL	PRICE	FINISH	GLASS
3/8" (10 mm) clear tempered glass			
VGSH24-11-40 ① - ②	\$2,112	Chrome	CLEAR
VGSH24-25-40 _ - _	\$2,347	Brushed Nickel	CLEAR

*Glass Shelves are available in 3/8" (10 mm) Clear Glass only.

See page 18 for return panel option.

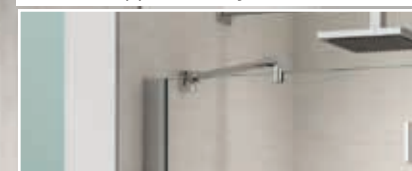
DOOR OPTIONS



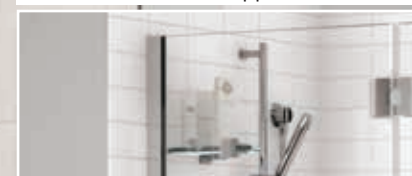
For information see Fibo by Fleurco section



Support Bar System - "X"



Glass Shelf Support - "G"



MODEL VQRXT24-11-40

MONACO ROUND TOP

Walk-in pivot tub shield with fixed panel

Round top shield with fixed panel

170° outward and 20° inward opening

Reversible left or right side installation

2 glass-to-glass hinge choices (excluding **SELECT**)

3/8" (10mm) clear tempered glass

1/4" (6mm) clear tempered glass (excluding **SELECT**)

Tub shield height: 58" (59 1/2" to top of support bar)

Chrome, Brushed Nickel & Matte Black (**SELECT** model only) finishes

Microtek
 FLEURCO
 Glass surface protection

10
 year limited
 warranty

FLEURCO™ www.fleurco.com

SIENA DUO TUB SHIELD M

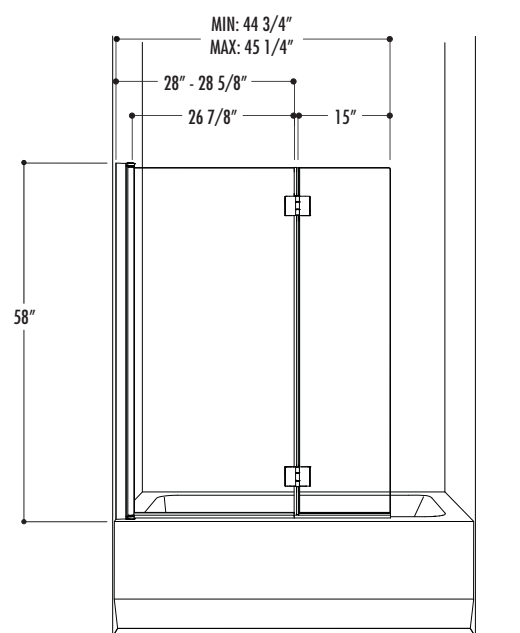
Bi-fold pivot tub shield without FleurcoSEKUR+ Safety Protection (S.R.T.)

1/4" (6 mm) Tempered clear glass • 58" Height

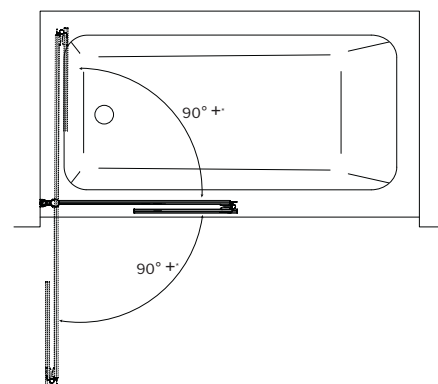
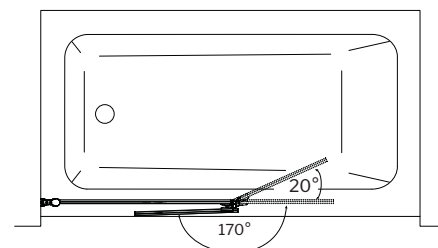
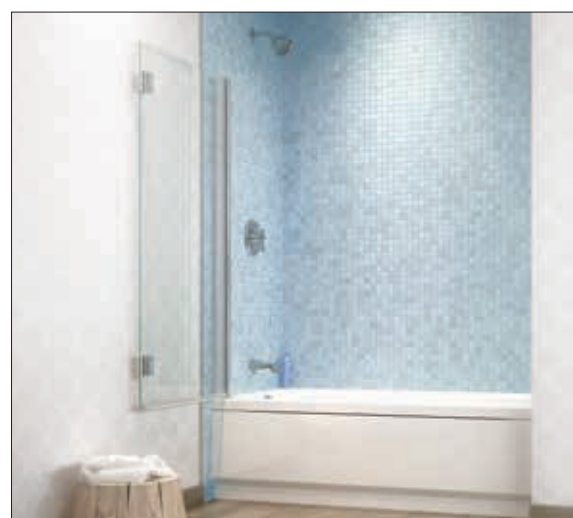
TUB SHIELD

Moving Panel 26 7/8" W • Small Shield 15" W x 58" H

MODEL	PRICE	FINISH	GLASS
ESHB26-11-40	\$1,115	Chrome	CLEAR
ESHB26-25-40	\$1,146	Brushed Nickel	CLEAR
ESHB26-33-40	\$1,181	Matte Black	CLEAR



Fully opened unit



*Panel can go past 90° but may come in contact with wall

Glass surface protection
Microtek
 INCLUDED
 at no charge.



MODEL ESHB26-11-40

SIENA DUO, WALK-IN TUB SHIELD

Bi-fold pivot tub shield

Bi-fold glass panels allowing full access to faucet and tub
 European water deflection system
 90° outward and 90° inward opening for large panel
 170° outward and 20° inward opening for small shield
 Reversible left or right side installation
 1/4" (6mm) clear tempered glass
 Tub shield height: 58"
 Chrome, Brushed Nickel & Matte Black finishes

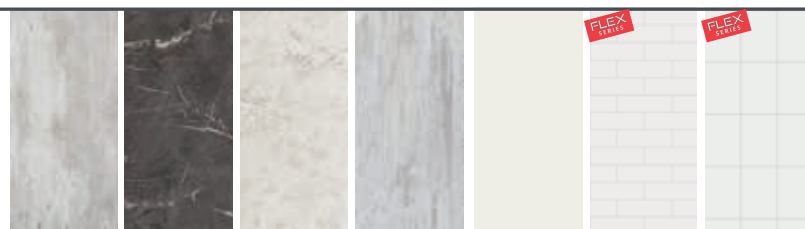
Microtek
 FLEURCO
 Glass surface protection

10
 year limited
 warranty

Fibo Wall Systems

by FLEURCO

For information see Fibo by Fleurco section



SIENA TUB SHIELD M

Glass surface protection
Microtek
 INCLUDED
 at no charge.

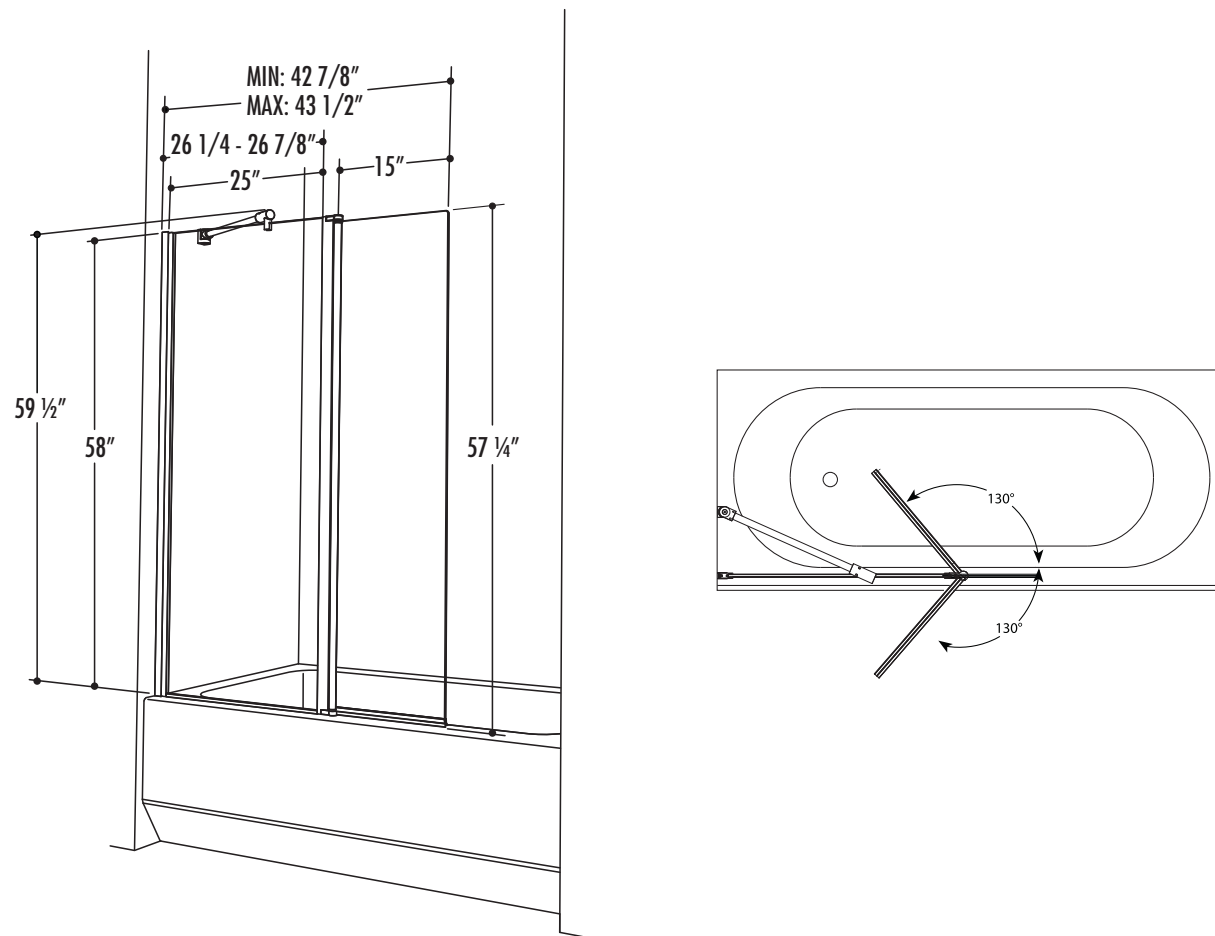
Pivot tub shield with fixed panel without FleurcoSEKUR+ Safety Protection (S.R.T.)

1/4" (6 mm) Tempered clear glass • 58" Height (59 1/2" to top of support bar)

TUB SHIELD

Large Panel 25" W, Moving Shield 15" W x 58" H (59 1/2" to top of support bar)

MODEL	PRICE	FINISH	GLASS
ESH24-11-40	\$921	Chrome	CLEAR
ESH24-25-40	\$950	Brushed Nickel	CLEAR
ESH24-33-40	\$980	Matte Black	CLEAR



MODEL ESH24-11-40

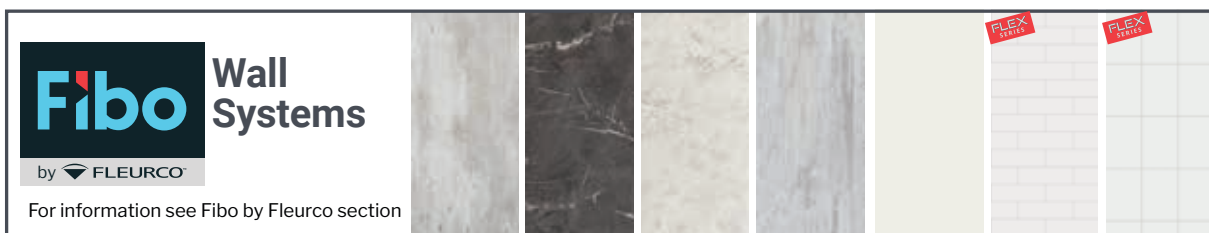
SIENA WALK-IN TUB SHIELD

Pivot tub shield with fixed panel

- European water deflection system
- 130° outward and 130° inward opening
- Reversible left or right side installation
- 1/4" (6mm) clear tempered glass
- Tub shield height: 58" (59 1/2" to top of support bar)
- Chrome, Brushed Nickel & Matte Black finishes

Microtek
 FLEURCO
 Glass surface protection

10
 year limited
 warranty



Fibo Wall Systems
 by FLEURCO

For information see Fibo by Fleurco section

VECTRA TUB PANEL M

Fixed panel

3/8" (10 mm) Tempered clear glass
66" Height (67" to top of support bar)

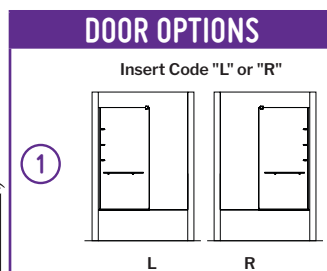
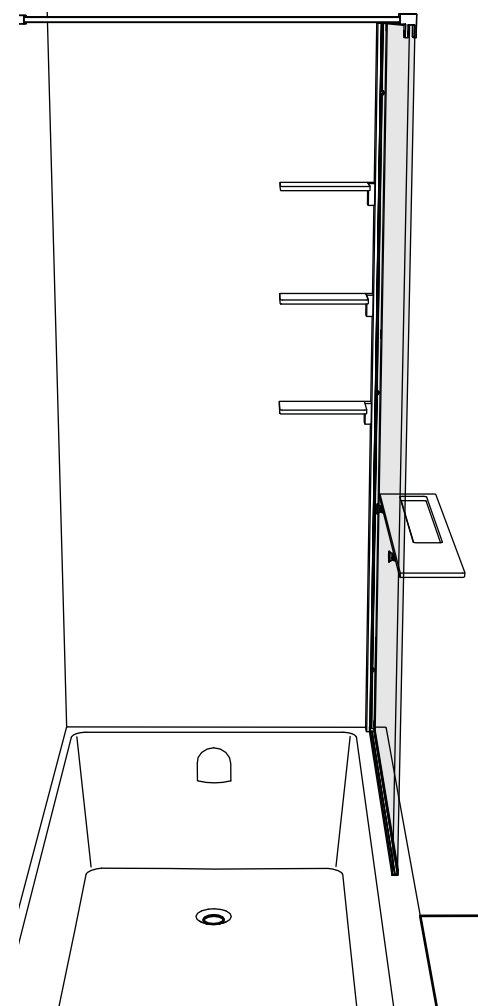
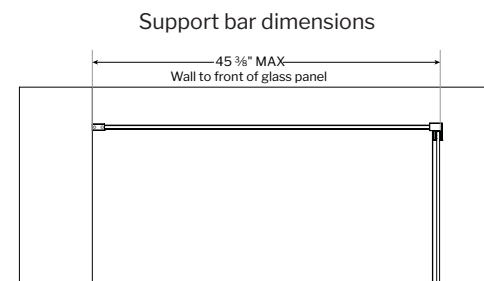
TUB PANEL 33

33" W x 66" H (67" to top of support bar)

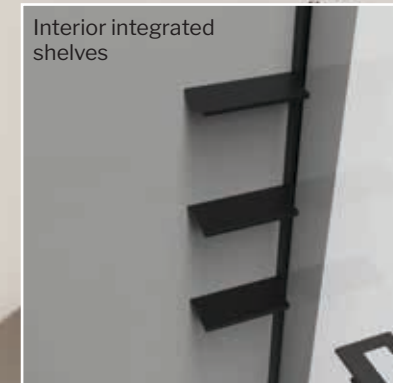
MODEL	PRICE	FINISH	GLASS
VRT33-33-40 ^①	\$1,575	Matte Black	CLEAR

Glass surface protection
Microtek[®] INCLUDED
at no charge.

FLEURCO SEKUR⁺
SAFETY PROTECTION (S.R.T.)



US | 2022



MODEL VTRT33-33-40R

VECTRA WALK-IN TUB PANEL

Fixed tub panel with accessories

- 3 metal shelves integrated to the wall jamb
- Towel bar and tray integrated in a single accessory
- 3/8" (10mm) clear tempered glass
- Tub panel height: 66" (67" to top of support bar)
- Matte Black finish

FLEURCO SEKUR⁺

SAFETY PROTECTION (S.R.T.)*

*5 year limited warranty

Microtek[®]

Glass surface protection

10
year limited
warranty

FLEURCO™ www.fleurco.com

LATITUDE TUB PANEL M

Fixed tub panel

5/16" (8 mm) Tempered clear glass
66" Height (66 3/4" to top of support bar)

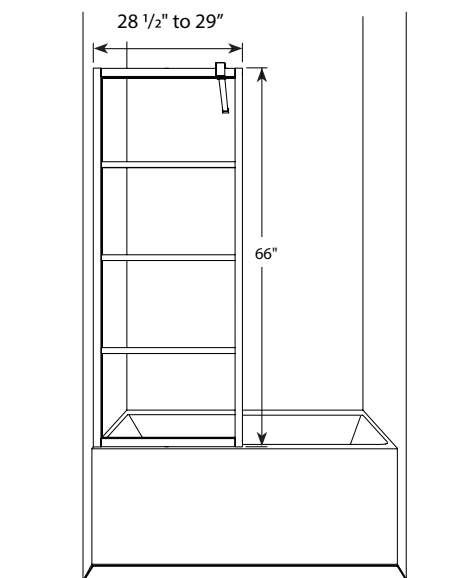


TUB PANEL 28

28 1/2" W x 66" H (66 3/4" to top of support bar)

MODEL	PRICE	FINISH	GLASS
LAVT28-33-43	\$613	Matte Black	CLEAR

LAVT28

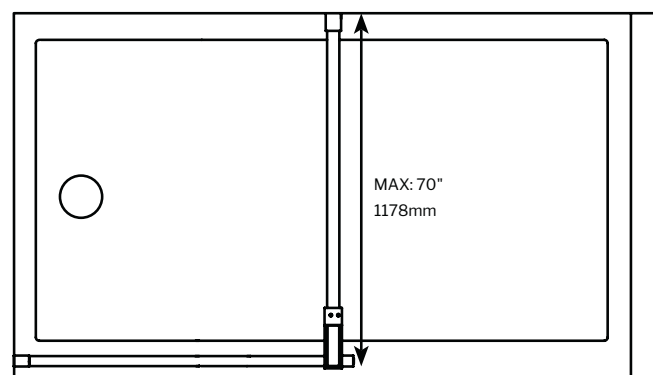
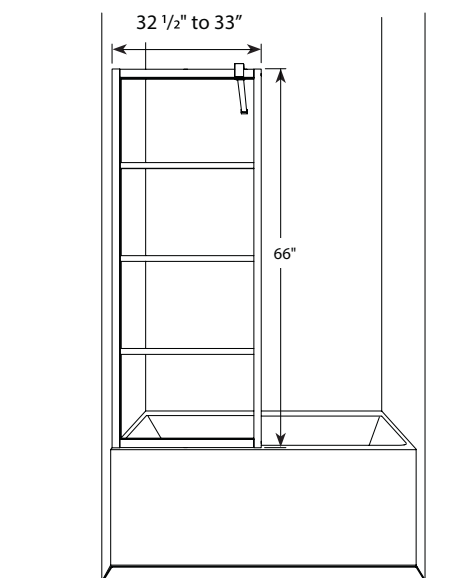


TUB PANEL 32

32 1/2" W x 66" H (66 3/4" to top of support bar)

MODEL	PRICE	FINISH	GLASS
LAVT32-33-43	\$648	Matte Black	CLEAR

LAVT32



MODEL LAVT32-33-43

LATITUDE ≡ WALK-IN TUB PANEL

Fixed tub panel



SAFETY PROTECTION (S.R.T.)*

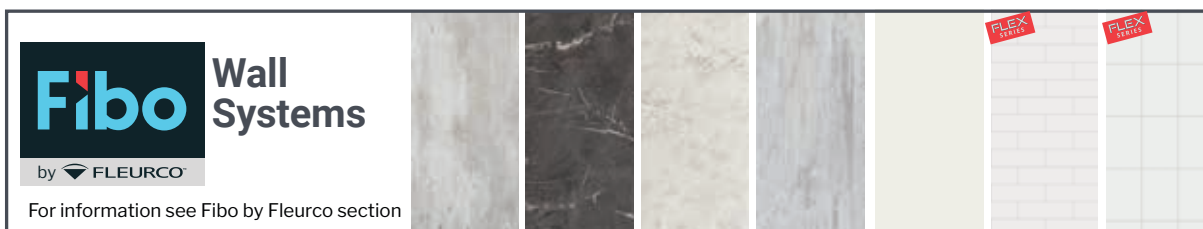
*5 year limited warranty



Glass surface protection

Silk screen design - high style, low maintenance
5/16" (8mm) clear tempered glass
Tub panel height: 66" (66 3/4" to top of support bar)
Matte Black finish

10
year limited
warranty



Fibo Wall Systems

by FLEURCO

For information see Fibo by Fleurco section

SOLO TUB PANEL M



Pivot tub panel without FleurcoSEKUR+ Safety Protection (S.R.T.)

3/8" (10 mm) Tempered clear glass • 63" Height
1/4" (6 mm) Tempered clear glass • 63" Height

SELECT SOLO ROUND TOP WITH OVAL (Q) HINGES 29" W x 63" H

MODEL	PRICE	FINISH	GLASS
3/8" (10 mm) clear tempered glass			
VQRXT029-11-40	\$582	Chrome	CLEAR
VQRXT029-25-40	\$602	Brushed Nickel	CLEAR
VQRXT029-33-40	\$611	Matte Black	CLEAR

SELECT SOLO SQUARE TOP WITH RECTANGULAR (M) HINGES 29" W x 63" H

MODEL	PRICE	FINISH	GLASS
3/8" (10 mm) clear tempered glass			
VMSXT029-11-40	\$582	Chrome	CLEAR
VMSXT029-25-40	\$602	Brushed Nickel	CLEAR
VMSXT029-33-40	\$611	Matte Black	CLEAR

This unit is universal, left and right.

This unit is universal, left and right.

SELECT

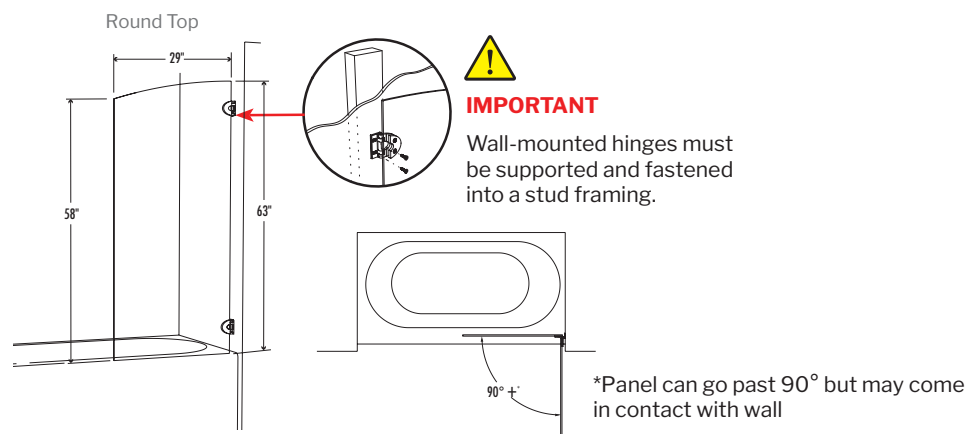
SELECT

SOLO ROUND TOP 29" W x 63" H

MODEL	PRICE	FINISH	GLASS
3/8" (10 mm) clear tempered glass			
VXT029-11-40 ① - ②	\$1,432	Chrome	CLEAR
VXT029-25-40 _ - _	\$1,539	Brushed Nickel	CLEAR

SOLO ROUND TOP 29" W x 63" H

MODEL	PRICE	FINISH	GLASS
1/4" (6 mm) clear tempered glass			
VT029-11-40 ① - ②	\$1,168	Chrome	CLEAR
VT029-25-40 _ - _	\$1,278	Brushed Nickel	CLEAR



DOOR OPTIONS

Insert Code "L" or "R"

① L R

Insert Code "M" or "Q"

② M Q



MODEL VQRXT029-11-40

SOLO WALK-IN TUB PANEL

Pivot tub panel

- 90° outward opening
- Reversible left or right side installation
- 2 wall-mount hinge choices (excluding **SELECT**)
- 3/8" (10mm) clear tempered glass
- 1/4" (6mm) clear tempered glass (excluding **SELECT**)
- Tub panel height: 63"
- Chrome, Brushed Nickel & Matte Black (**SELECT** model only) finishes



10
year limited warranty

STATION FIXED TUB PANEL M

Fixed tub panel without FleurcoSEKUR+ Safety Protection (S.R.T.)

Glass surface protection
Microtek® INCLUDED
 at no charge.

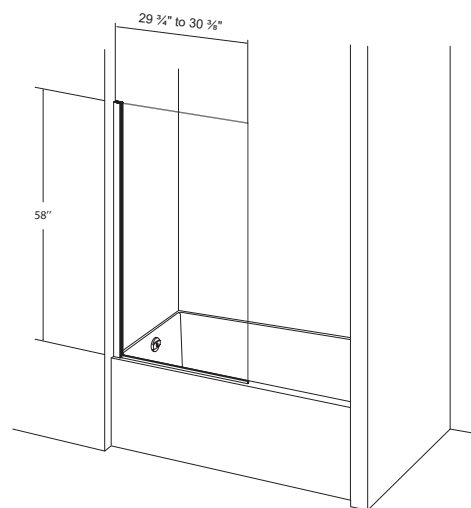
3/8" (10 mm) Tempered clear glass • 58" Height

TUB PANEL 30

29 3/4" to 30 3/8" x 58" H

MODEL	PRICE	FINISH	GLASS
VSXT30-11-40	\$434	Chrome	CLEAR
VSXT30-25-40	\$449	Brushed Nickel	CLEAR
VSXT30-33-40	\$454	Matte Black	CLEAR

This unit is universal, left and right.
 Can also be used as a return panel.



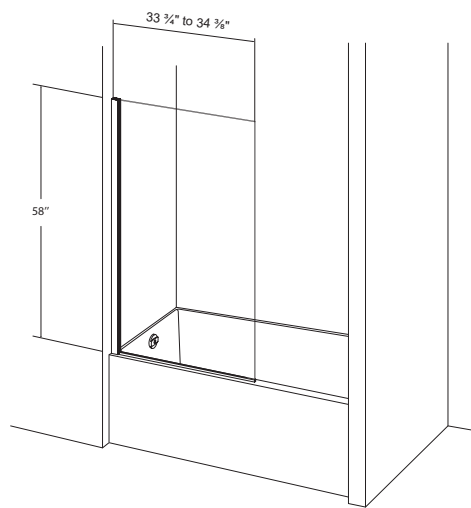
VSXT30

TUB PANEL 34

33 3/4" to 34 3/8" x 58" H

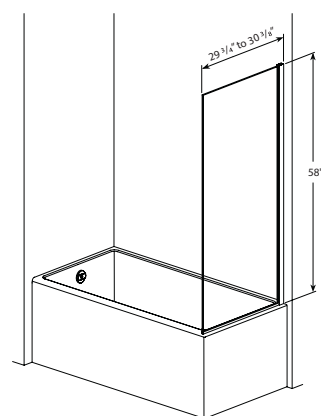
MODEL	PRICE	FINISH	GLASS
VSXT34-11-40	\$475	Chrome	CLEAR
VSXT34-25-40	\$498	Brushed Nickel	CLEAR
VSXT34-33-40	\$506	Matte Black	CLEAR

This unit is universal, left and right.
 Can also be used as a return panel.

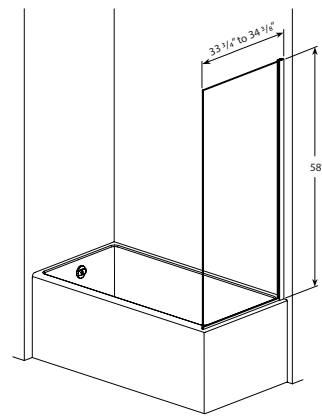


VSXT34

Can also be used as a return panel.



VSXT30



VSXT34



MODEL VSXT30-11-40

STATION WALK-IN TUB PANEL

Fixed tub panel

- Fixed tub panel
- Reversible left or right side installation
- 3/8" (10mm) clear tempered glass
- Tub panel height: 58"
- Chrome, Brushed Nickel & Matte Black finishes

Microtek®
 FLEURCO
 Glass surface protection

10
 year limited
 warranty

SIENA SOLO TUB PANEL M

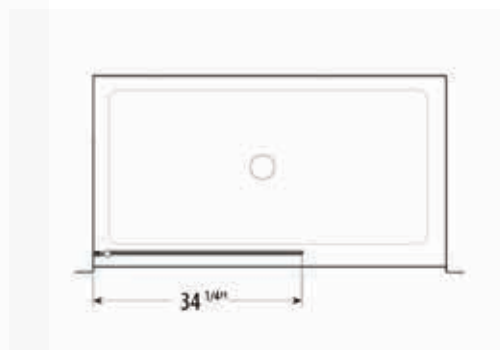
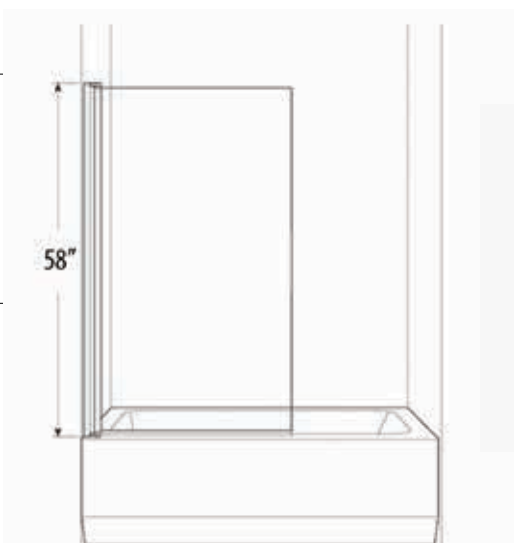
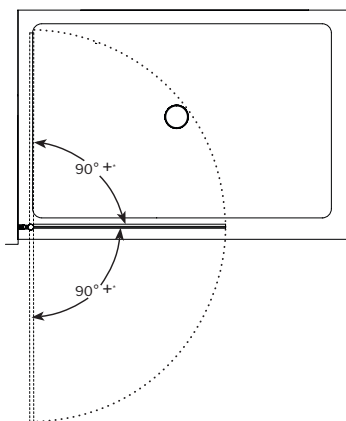
Pivot tub panel without FleurcoSEKUR+ Safety Protection (S.R.T.)

1/4" (6 mm) Tempered clear glass • 58" Height

PIVOT TUB PANEL 34

Panel 34 1/4" W x 58" H

MODEL	PRICE	FINISH	GLASS
ESB34-11-40	\$834	Chrome	CLEAR
ESB34-25-40	\$861	Brushed Nickel	CLEAR
ESB34-33-40	\$886	Matte Black	CLEAR



*Panel can go past 90° but may come in contact with wall



MODEL ESB34-33-40

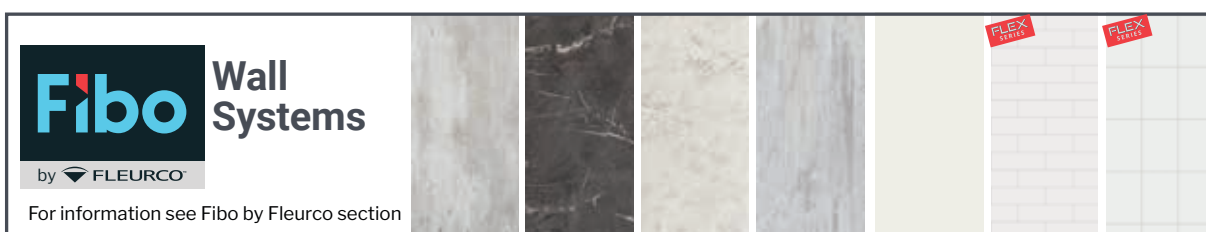
SIENA SOLO, WALK-IN TUB PANEL

Pivot tub panel

Pivot glass panel
 90° outward and 90° inward opening
 Reversible left or right side installation
 1/4" (6mm) clear tempered glass
 Tub panel height: 58"
 Chrome, Brushed Nickel & Matte Black finishes



10
year limited
warranty



For information see Fibo by Fleurco section

Microtek® Glass Protector



YOUR GLASS PROTECTED WITH MICROTEK®

- Resists staining from hard water deposits • Is easier to clean
- Does not support the growth of bacteria
- Eliminates the need for harsh and abrasive cleaning products
- Saves time and effort • Stays cleaner longer
- Creates a more hygienic environment

MAINTENANCE

A soft cloth is all you need to clean your protected glass. For best results, squeegee dry after each use. The only solution Fleurco recommends using is 1 part vinegar and 4 parts water.

MICROTEK GLASS CLEANING						
Type of Cleaning	Step 1	Step 2	Step 3	Step 4	Step 5	Recommended Frequency
After Use	Spray down glass with hot water. 	Dry with squeegee. 	N/A	N/A	N/A	Immediately after showering.
Regular Maintenance	Water down the panels then clean with mild, non-abrasive soap on a soft sponge. 	Rinse off with clean water. 	Spray with a solution of 1 part vinegar + 4 parts water. 	Rinse off with clean water. 	Dry with squeegee. 	Weekly.

MICROTEK IS EXPECTED TO PERFORM FOR UP TO
10 YEARS

PRECAUTIONS

- Avoid using abrasive cleaners.
- Hydrofluoric and phosphoric acid can damage glass surface and should not be used.
- Do not use abrasive scouring powders or pads, highly acidic/alkaline cleaners, brushers, razor blades or other sharp objects which may scratch or harm the glass surface.

WARRANTY

Provided the glass is maintained according to published after-care instructions and without the use of abrasive cleaning methods or highly alkaline products, FLEURCO warrants that Microtek will work for up to ten (10) years from the date of application.

FLEURCO[™]SEKUR⁺

SAFETY PROTECTION (S.R.T.)

WHAT IS FLEURCOSEKUR⁺ SAFETY PROTECTION (S.R.T.)?

FLEURCOSEKUR⁺ SAFETY PROTECTION (S.R.T.) is a transparent film bonded directly onto the glass panel by means of an adhesive to improve safety by retaining the pieces together in the event of glass breakage.

WHAT ARE THE BENEFITS OF FLEURCOSEKUR⁺ SAFETY PROTECTION (S.R.T.)?

FLEURCOSEKUR⁺ SAFETY PROTECTION (S.R.T.) film provides an added layer of security for you and your family. In the event of an accident, FLEURCOSEKUR⁺ SAFETY PROTECTION (S.R.T.) prevents the tempered glass door from shattering into thousands of pieces which could cause damage.

HOW IS FLEURCOSEKUR⁺ SAFETY PROTECTION (S.R.T.) APPLIED?

Application is performed by a specialized machine.

The film is always installed on the exterior side of the panels as to not affect the Microtek® coating on the interior.

HOW DURABLE IS FLEURCOSEKUR⁺ SAFETY PROTECTION (S.R.T.)?

FLEURCOSEKUR⁺ SAFETY PROTECTION (S.R.T.) is very durable. It has been tested for long-term usage against chemicals and abrasives and meets the required standards.

HOW DO I CLEAN GLASS TREATED WITH FLEURCOSEKUR⁺ SAFETY PROTECTION (S.R.T.)?

There is no special requirement for cleaning a FLEURCOSEKUR⁺ SAFETY PROTECTION (S.R.T.) treated shower door. Cleaning with a damp cloth using a mixture of vinegar/mild soap with water is recommended.



5
year limited
warranty



Shattered glass maintains structure with FLEURCOSEKUR⁺ SAFETY PROTECTION (S.R.T.) film

